

<b>Model</b>	<b>MWH 900LTM-C-S1</b>
Item No.	503-090-511
Nominal Heating Capacity (net) kW <sup>1</sup>	77.5
Heating Capacity Range (gross) kW <sup>2</sup>	13.3 ~ 91.9
Input Power kW <sup>1</sup>	23.1
COP <sup>1</sup>	3.35
Unit Controller	UC8
Design HEX differential °C	15
Water Flow rate l/min. <sup>1</sup>	87.5
Min./Max. Inlet Water temp. °C (Heating)	20 / 50
Min./Max. Operating Ambient Air temp. °C	- 10 / 45
Design Water Temperature (EWT/LWT) °C	30 / 45
Entering Pressure Drop <sup>3</sup> kPa	45
Min. Water Volume in sys. for Space Htg litres	150
Min. Water Volume in sys. for 100% F/A litres	300
Water Volume in unit litres	8.8
Heat Exchanger	Thermoshell® (x2)
Max. Operating Water Pressure kPa	1000
Electronic Expansion Valves	2 / sys.
Refrigerant	R32
Refrigerant Charge kg	4.2 / sys.
Compressor type	Inverter (x2)
Compressor oil type	POE-46 (or equivalent)
Power supply <sup>4</sup>	3 ph. 400 V ac 50 Hz + N + E
Running current A/sys.	16 / 18 / 16
Max. Running Current A/sys	30 / 33 / 30
RCD type recommendation	type B, 30mA
Water connections	1 1/2" BSP male (x2)
Sound Power <sup>5</sup> (SWL) dB(A)	78
Sound Pressure Level @ 3m (SPL) dB(A)	62
Fan type	3 speed Axial 500mm (x4)
External static pressure available of fans Pa	5
Pump type required	External BLDC
Programmed Logic Controller	Schneider M172
Communication Options	BMS / Modbus / BACnet
Net weight (excl. water) kg	617

<sup>1</sup> Rating conditions: 7/6 °C db/wb outdoor ambient; EWT 30°C; LWT 45°C.

<sup>2</sup> Ranges at rating conditions: Min. speed [1 comp.] ~ max. 100% [2 comp.]

<sup>3</sup> Pressure drop at Water Flow rate and rating conditions above.

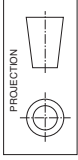
<sup>4</sup> Voltage range: 380–440V.

<sup>5</sup> Radiated. EN 12102-1:2017.

22013

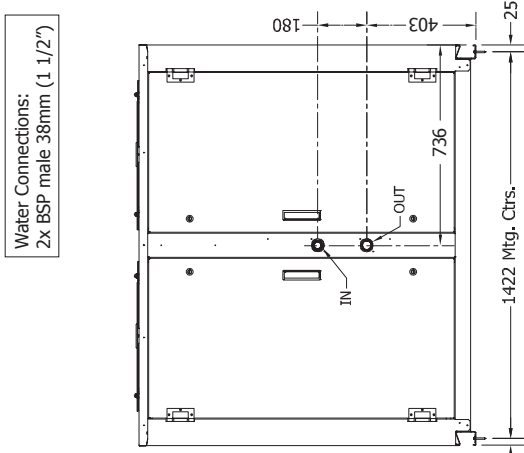
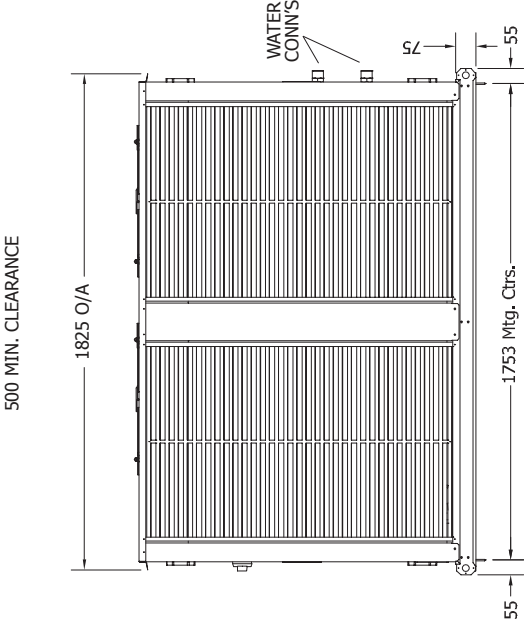
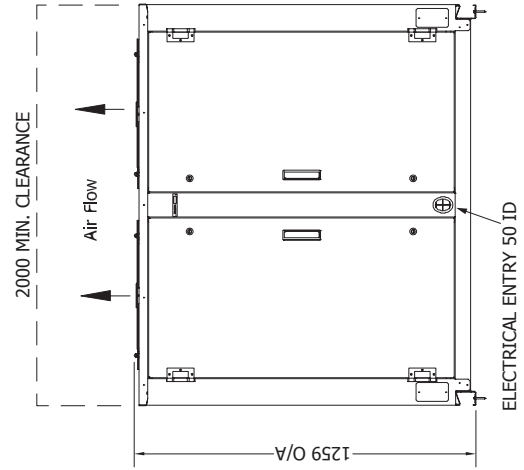
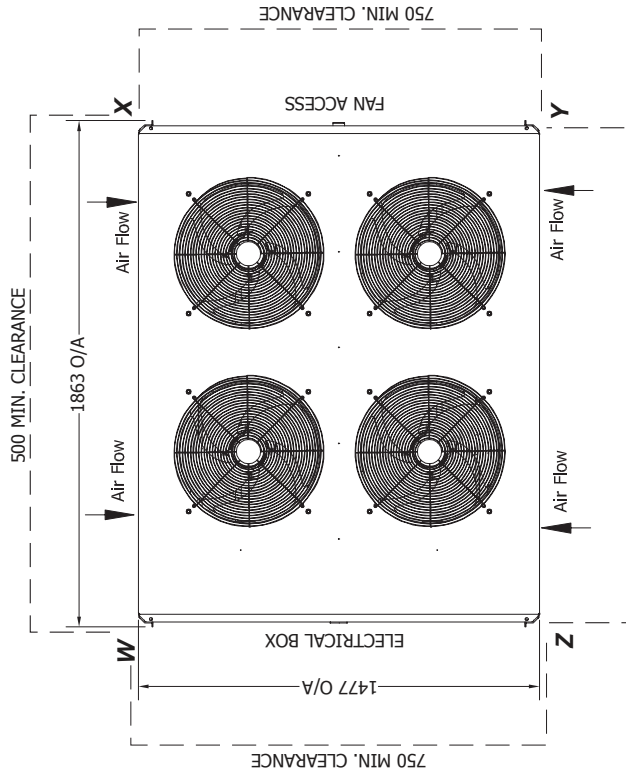
# MWH 900LT

POINT LOADS (kg)			
W	X	Y	Z
160	148	148	161



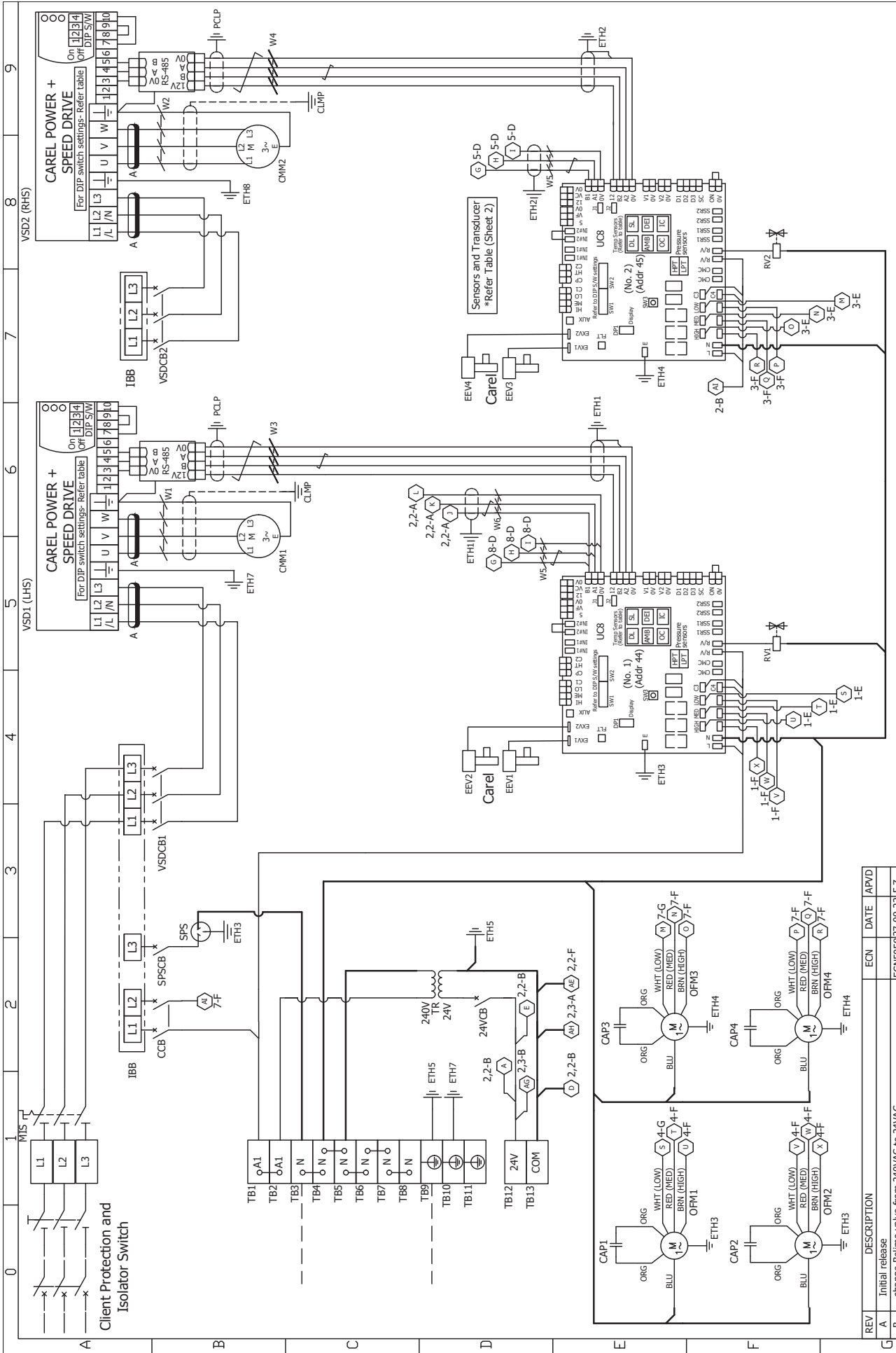
Not to Scale

Note: If multiple units are to be placed side-by-side then allow at least 1m between coil faces.



**NOTE**  
Specifications are subject to change without notice due to the manufacturer's ongoing research and development programme.

# ELECTRICAL



REV	DESCRIPTION	ECN	DATE	APVD
A	Initial release			
B	change Belimo valve from 240VAC to 24VAC	ECN505827-09-22	F.Z	

Client Wiring	DO NOT SCALE - ASK
---------------	--------------------

Drawn: F.Z	Date: 18-05-22	Title: MWH 900 L UC8 3P PLC w/o PUMP Wiring Schematic
Apprvd: BK	PU	

Drawing No: 291-003-497	Rev: B
SHEET 1	OF 2



©temperzone Ltd 2022

