

Model	OPA 350RLTFPQ-DZ-S1
Configuration	Horizontal Supply Air + Economiser + Viking
Item No. (Standard / Opposite Hand)	877-035-701-002 / 877-035-710-002
Configuration	Downward Supply Air + Economiser + Viking
Item No. (Standard / Opposite Hand)	877-035-723-002 / 877-035-732-002
Cooling capacity (net) *	34.8 kW
Cooling capacity range (gross)	18.0 ~ 45.4 kW
Heating capacity *	37.0 kW
Heating capacity range	13.9 ~ 47.0 kW
Electrical input - cooling	11.1 kW
Electrical input - heating	11.5 kW
EER / AEER (cooling)*	3.15 / 3.14
COP / ACOP (heating) *	3.21 / 3.19
Unit Controller	UC8
Refrigerant	R32
Refrigerant Charge	10.5 kg
Minimum floor area (@2.4m below ceiling diffuser)	58.6 m ²
Compressor oil type	POE-46 (NXG5020 or equivalent)
Compressor type	inverter scroll
Power supply **	3 ph. 400 V ac 50 Hz + N + E
Compressor (3ph.) run amps *	14 A/ph
Compressor + VSD circuit breaker	40 A
Indoor fan motor size	EC plug 500 dia. 3.58kW
Nominal air flow at rating conditions	1800 l/s
Indoor fan motor (3ph.) - full load	5.5 A/ph.
Outdoor fan motor (3ph.) - full load	4.6 A/ph.
Outdoor fan max. static pressure @ 3800 l/s	125 Pa
Control circuit breaker (internal)	2 A
Auxiliary power outlet (1ph.) overload setting	10 A
Running amps (total system)*	17.5 / 15.5 / 19.5 A
Max. running amps (total system)	35 A/ph.
RCD type recommended	type B, 30mA, 3 pole
Net weight c/w Economiser	649 kg
Shipping weight c/w Economiser	674 kg

Accessories:

Filters - rated EU4/G4 disposable	019-400-001 600x300x50 (x1) 019-400-005 600x500x50 (x2)
Filters - rated EU4/G4 washable	019-000-037 600x300x50 (x1) 019-000-034 600x500x50 (x2)
Drain tundish (set of 2)	060-000-653

Viking Controls:

SMT-920 Controller + RS-SS Outdoor Air Sensor	supplied
RS-SSD Room temperature controller	supplied

Refer to temperzone for other options.

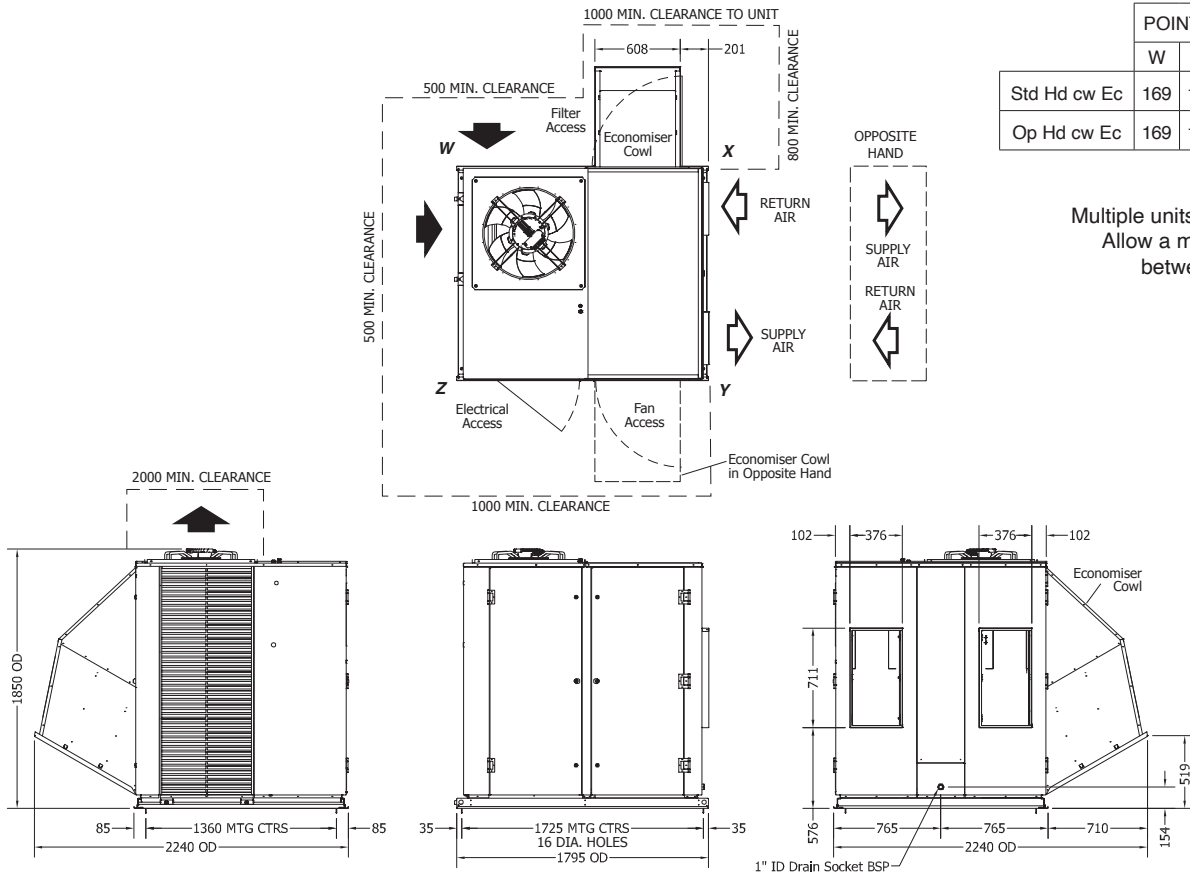
* Tested in accordance with AS/NZS 3823
** Voltage range: 380-440V

DIMENSIONS (mm)



Not to Scale

OPA 350RLTFP01-DZ Standard Hand, Horizontal Supply

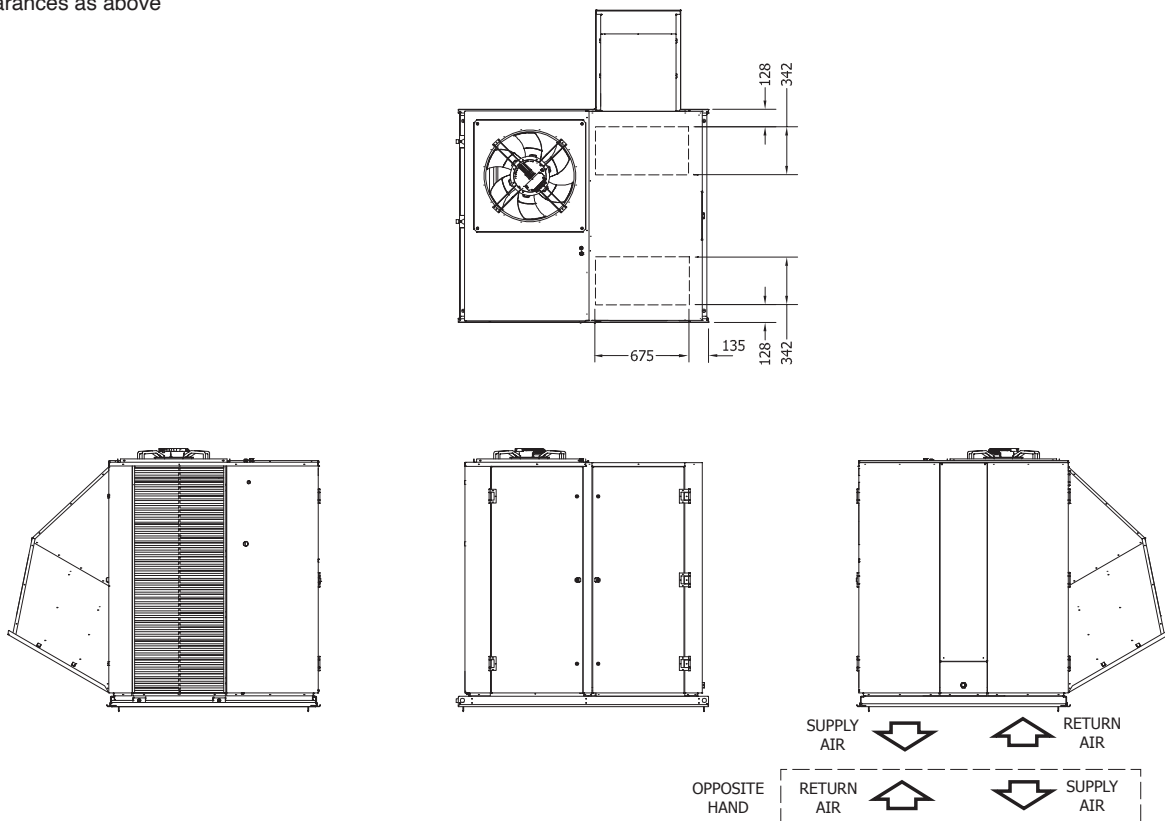


	POINT LOADS (kg)			
	W	X	Y	Z
Std Hd cw Ec	169	137	164	151
Op Hd cw Ec	169	164	137	151

Multiple units side-by-side:
Allow a minimum of 2m
between coil faces.

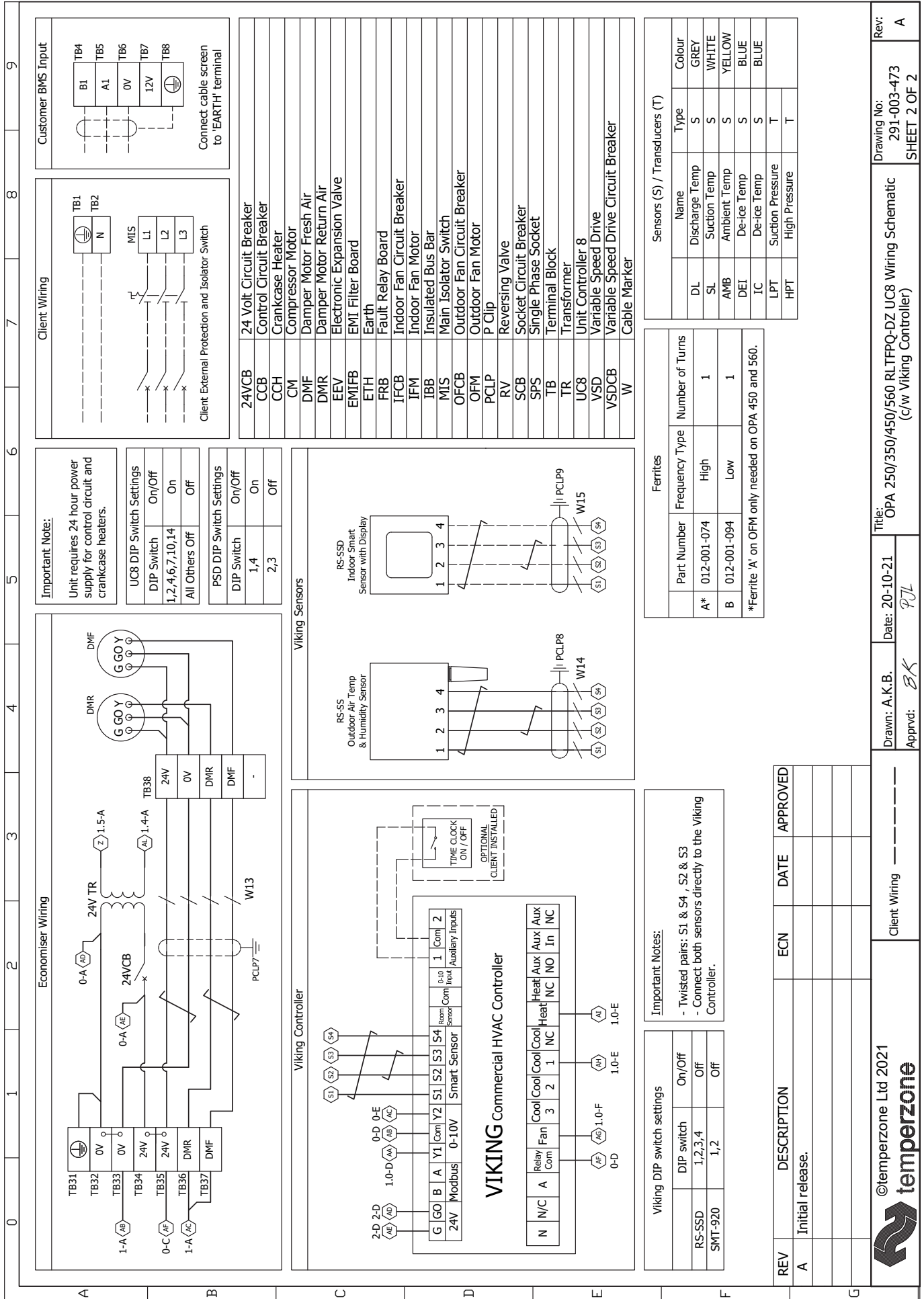
OPA 350RLTFP23-DZ Standard Hand, Downward Supply

Clearances as above



NOTE

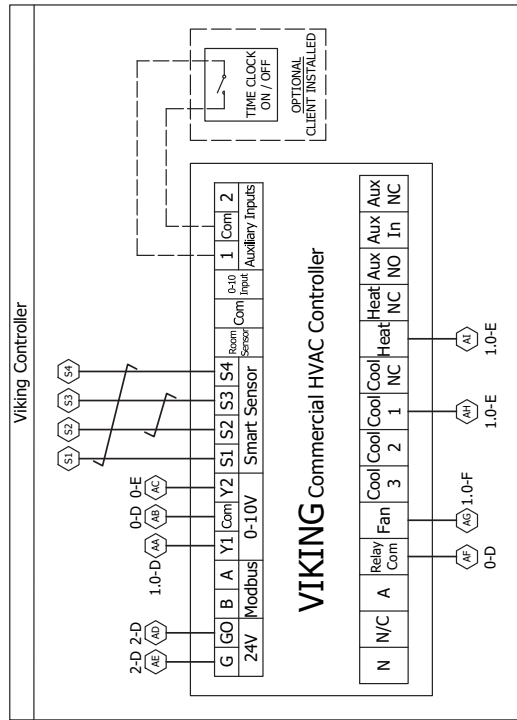
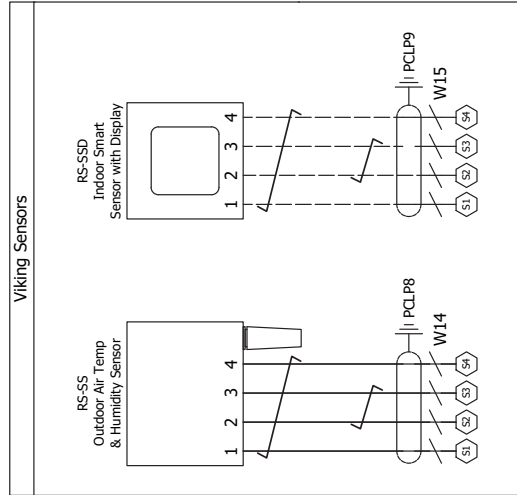
Specifications are subject to change without notice due to the manufacturer's ongoing research and development programme.



Important Note:
Unit requires 24 hour power supply for control circuit and crankcase heaters.

UC8 DIP Switch Settings	
DIP Switch	On/Off
1,2,4,6,7,10,14	On
All Others	Off

PSD DIP Switch Settings	
DIP Switch	On/Off
1,4	On
2,3	Off



Ferrites

Part Number	Frequency Type	Number of Turns
A* 012-001-074	High	1
B 012-001-094	Low	1

*Ferrite 'A' on OFM only needed on OPA 450 and 560.

Important Notes:

- Twisted pairs: S1 & S4 - S2 & S3
- Connect both sensors directly to the Viking Controller.

Viking DIP switch settings

DIP switch	On/Off
RS-SSD	Off
SMT-920	Off

REV	DESCRIPTION	ECN	DATE	APPROVED
A	Initial release.			



©temperzone Ltd 2021

Client Wiring

Drawn: A.K.B.
Apprvd: BK

Date: 20-10-21
PJL

Title: OPA 250/350/450/560 RLTFPQ-DZ UC8 Wiring Schematic (c/w Viking Controller)

Drawing No: 291-003-473
SHEET 2 OF 2

Rev: A