

Model	MWH 900LTM-PCV-S1
Item No.	503-090-505
Nominal Heating Capacity (net) kW ¹	89.3
Heating Capacity Range (gross) kW ²	13.3 ~ 105
Input Power kW ¹	28.4
COP ¹	3.14
Unit Controller	UC8
Design HEX differential °C	15
Water Flow rate l/min. ¹	100
Min./Max. Inlet Water temp. °C (Heating)	20 / 50
Min./Max. Operating Ambient Air temp. °C	- 10 / 45
Design Water Temperature (EWT/LWT) °C	30 / 45
Min. Water Volume in sys. for Space Htg litres	150
Min. Water Volume in sys. for 100% F/A litres	300
Water Volume in unit litres	8.8
Heat Exchanger	Thermoshell® (x2)
Max. Operating Water Pressure kPa	1000
Electronic Expansion Valves	2 / sys.
Refrigerant	R32
Refrigerant Charge kg	4.2 / sys.
Compressor type	Inverter (x2)
Compressor oil type	POE-46 (or equivalent)
Power supply ⁴	3 ph. 400 V ac 50 Hz + N + E
Running current A/sys.	16 / 18 / 16
Max. Running Current A/sys	30 / 33 / 30
RCD type recommendation	type B, 30mA
Water connections	1 1/2" BSP male (x2)
Sound Power ⁵ (SWL) dB(A)	78
Sound Pressure Level @ 3m (SPL) dB(A)	62
Fan type	3 speed Axial 500mm (x4)
External static pressure available of fans Pa	5
Pump type	Integrated BLDC
Max. Head Delivery of pump m	12
Max. Ext'l Resistance of pump @nominal flow ³ kPa	50
Low ambient performance enhancement	EVI
Programmed Logic Controller	Schneider M172
Communication Options	BMS / Modbus / BACnet
Net weight (excl. water) kg	617

¹ Rating conditions: 7/6 °C db/wb outdoor ambient; EWT 30°C; LWT 45°C.

² Ranges at rating conditions: Min. speed [1 comp.] ~ max. 100% [2 comp.]

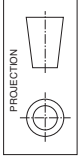
³ Pressure drop at Water Flow rate and rating conditions above.

⁴ Voltage range: 380–440V.

⁵ Radiated. EN 12102-1:2017.

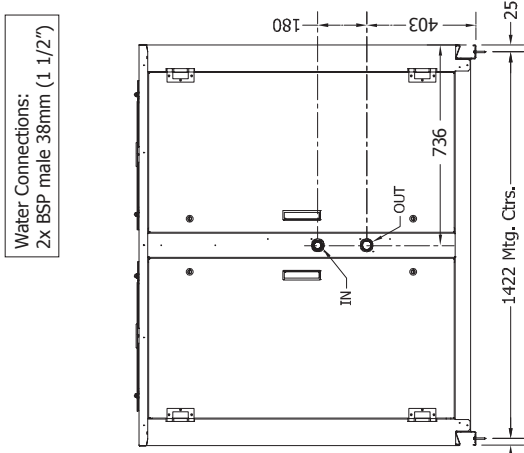
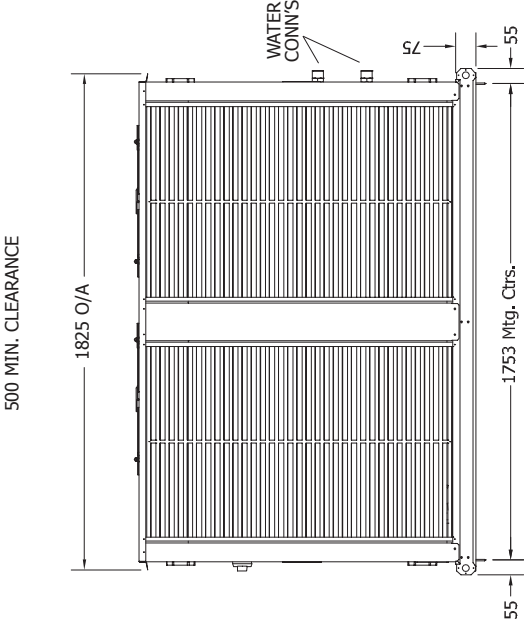
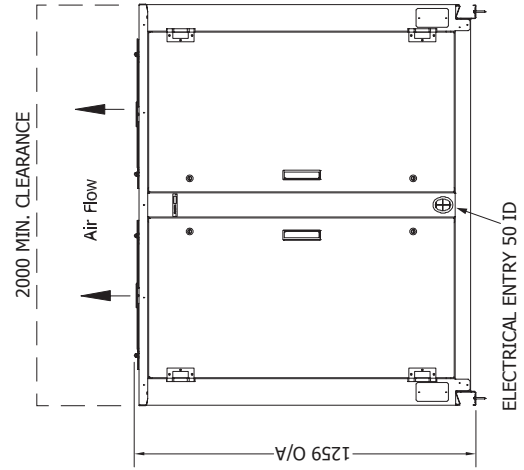
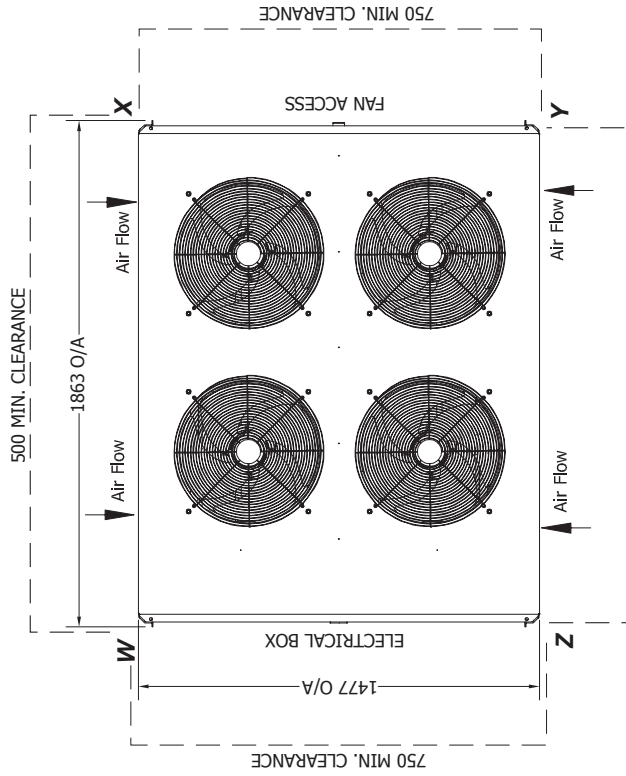
MWH 900LT

POINT LOADS (kg)			
W	X	Y	Z
160	148	148	161



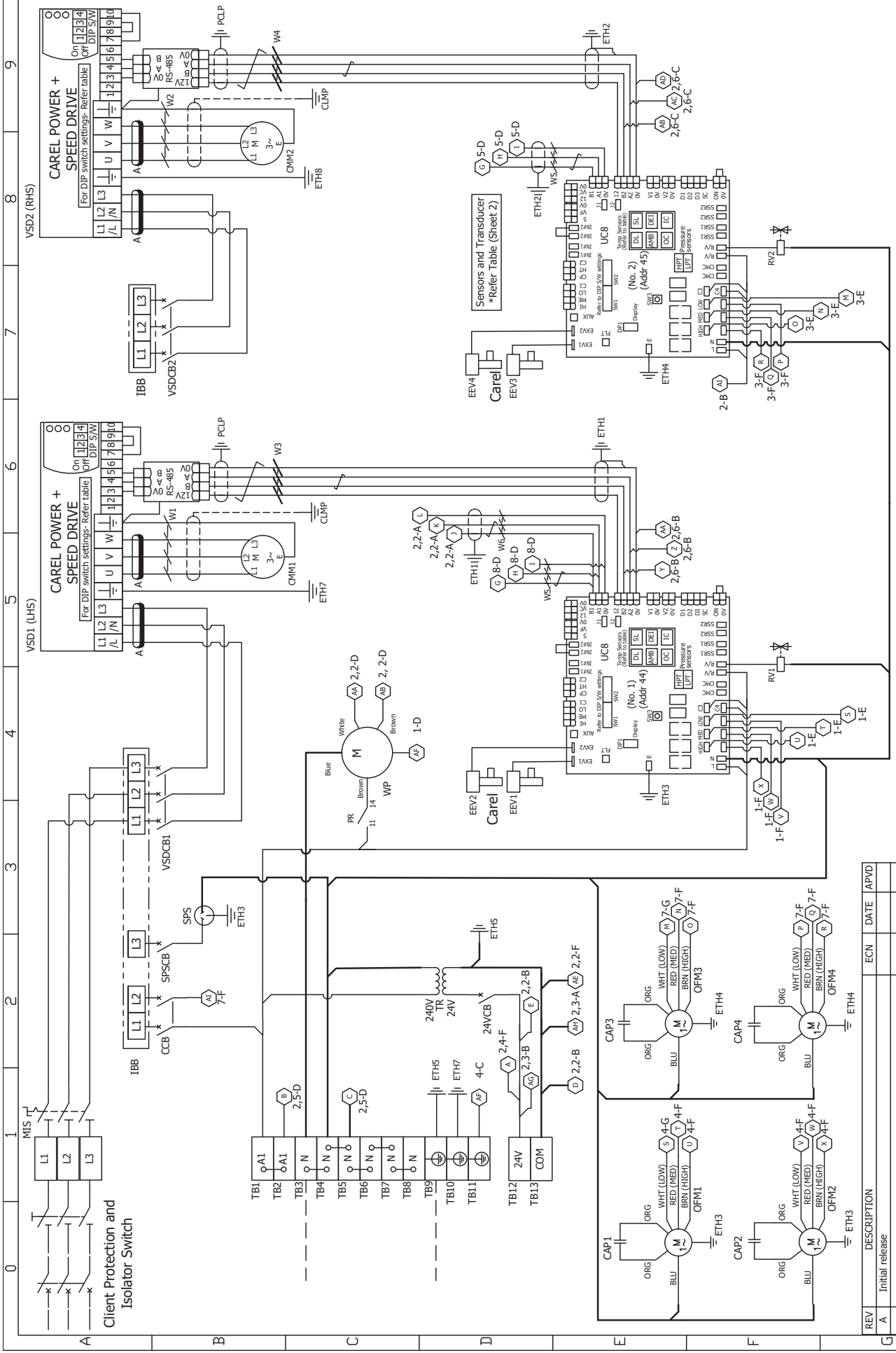
Not to Scale

Note: If multiple units are to be placed side-by-side then allow at least 1m between coil faces.



NOTE
Specifications are subject to change without notice due to the manufacturer's ongoing research and development programme.

ELECTRICAL



REV	DESCRIPTION	ECN	DATE	APVD
A	Initial release			

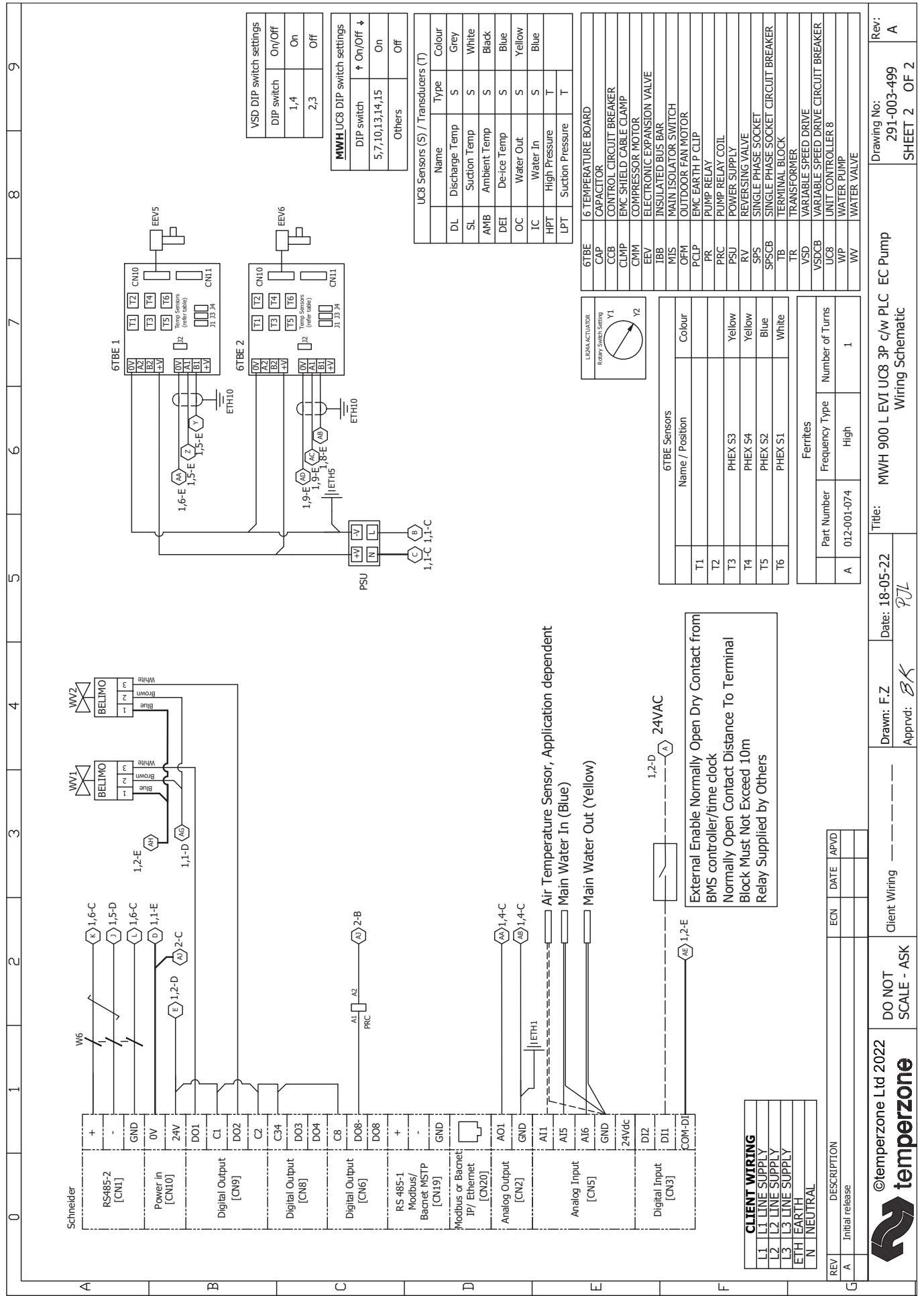
Client Wiring	DO NOT SCALE - ASK
---------------	--------------------

Drawn: F.Z	Date: 18-05-22	Title: MWH900 L EVI UC8 3P c/w PLC EC Pump Wiring Schematic
Apprvd: BK	PUL	

Drawing No: 291-003-499	Rev: A
SHEET 1	OF 2



©temperzone Ltd 2022



CLIENT WIRING

L1	L1 LINE SUPPLY
L2	L2 LINE SUPPLY
L3	L3 LINE SUPPLY
ETH	EARTH
N	NEUTRAL

REV	DESCRIPTION	ECN	DATE	APVD
A	Initial release			



©temperzone L.td 2022
DO NOT SCALE - ASK

Client Wiring

Drawn: F.Z
Apprvd: BK

Date: 18-05-22
PUL

Title: MWH 900 L EVI UC8 3P c/w PLC EC Pump Wiring Schematic

Drawing No: 291-003-499
SHEET 2 OF 2
Rev: A