

Model	OPA 2110RLTM4FPQD(-Z) Econex Pro
Configuration	Horizontal Supply Air
Item No. (Standard / Opposite Hand)	876-211-701 / 876-211-710
Unit c/w Economiser (Standard / Opposite Hand)	877-211-701 / 877-211-710
Configuration	Downward Supply Air
Item No. (Standard / Opposite Hand)	876-211-723 / 876-211-732
Unit c/w Economiser (Standard / Opposite Hand)	877-211-723 / 877-211-732
Cooling capacity (net) ¹	207 kW
Cooling capacity (gross) range	27 ~ 239 kW
Heating capacity ¹	203 kW
Heating capacity (gross) range	15 ~ 244 kW
Electrical input - cooling	67.3 kW
Electrical input - heating	57.4 kW
EER / AEER (cooling) ¹	3.07 / 3.06
COP / ACOP (heating) ¹	3.54 / 3.53
Operating Range (outdoor ambient) - cooling	-10°C ~ 50°C
Operating Range (outdoor ambient) - heating	-10°C ~ 25°C
Master Controller	<i>c.pCO</i>
Slave Controllers	UC8 (x4)
Refrigerant	R32
Refrigerant Charge	9.8 kg/sys.
Minimum floor area (@5m below ceiling diffuser)	11.8 m ² /sys.
Compressor oil type	POE-46 (NXG5020 or equivalent)
Compressor type	Inverter scroll (x4)
Power supply ²	3 ph. 400V ac 50Hz + N + E
Compressor (3ph.) run amps at rating cond.	22 A/ph. (x4)
Compressor circuit breaker	32 A (x4)
Indoor fan motor size	EC Plug 3.5kW (x4)
Nominal air flow at rating conditions	11 000 l/s
Indoor fan motor (3ph.) - full load	9.1 A/ph. (x4)
Outdoor fan motor (3ph.) - full load	4.7 A/ph. (x4)
Outdoor fan motor – max. ext. static pressure available	120 Pa (@20,600 l/s)
Control circuit breaker (internal)	4 A
Auxiliary power outlet (1ph.) overload setting	10 A
Running amps (total system)	108 / 101 / 111 A
Max. running amps (total system)	158 / 153 / 159 A
RCD type recommended	type B, 30mA, 3 pole
Net weight	2 577 kg
Shipping weight (excl. cowl)	2,636 kg
Net weight (c/w Economiser)	2 667 kg

Accessories:

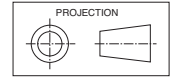
Remote wired Service Interface Display (<i>pGDN1</i>)	201-000-867
Filters - rated EU4/G4 disposable	019-400-004 500x500x50 (x12) 019-400-005 500x600x50 (x4) ³
Filters - rated EU4/G4 washable (NZ only)	019-000-033 500x500x50 (x12) 019-000-034 500x600x50 (x4) ³

¹ Tested in accordance with AS/NZS 3823

² Voltage range: 380 – 440 V

³ Filter sizes are nominal; refer to Temperzone for actual measurements.

DIMENSIONS (mm)

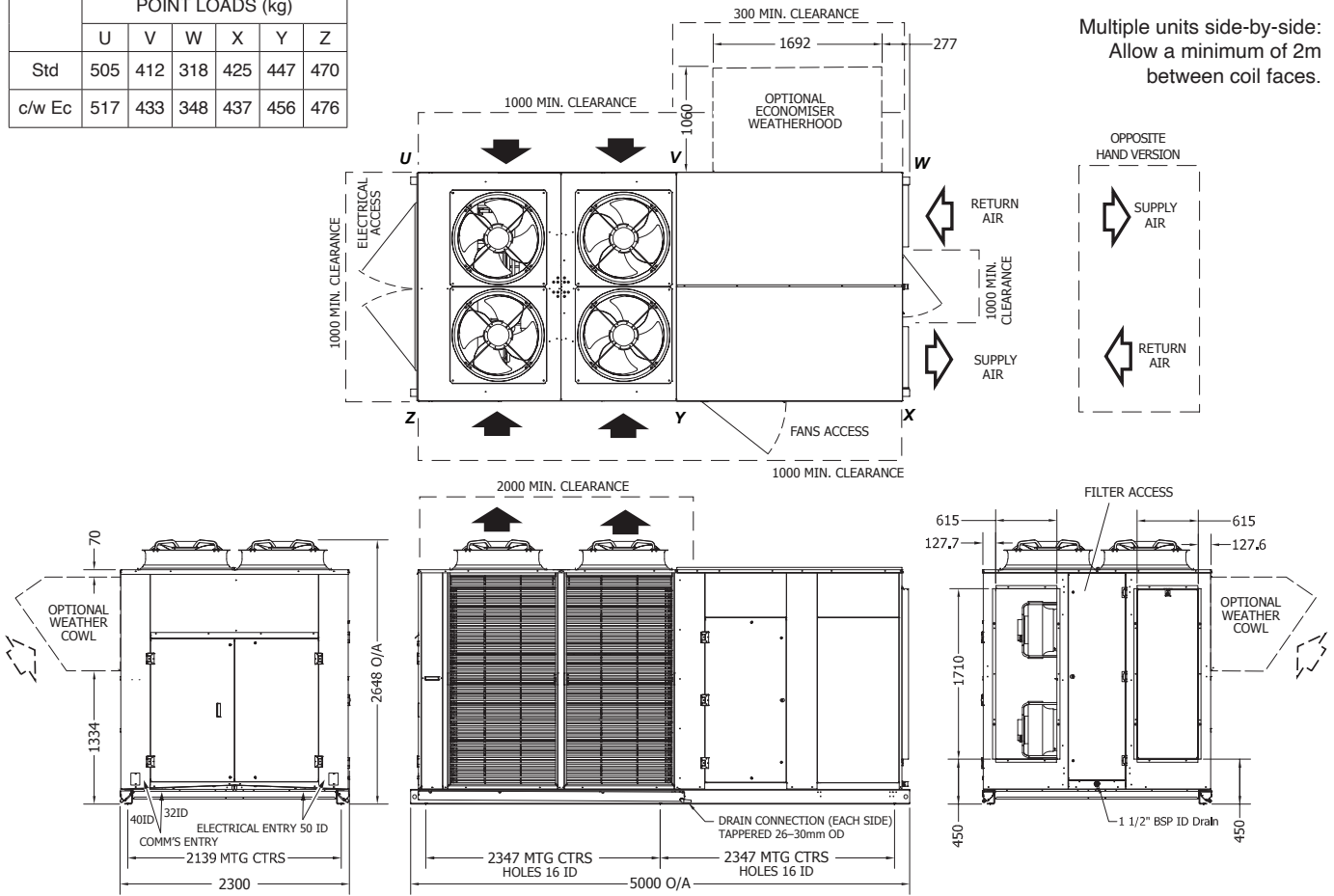


OPA 2110RLTMFPQD01(-Z) Horizontal Supply, Standard Hand

Not to Scale

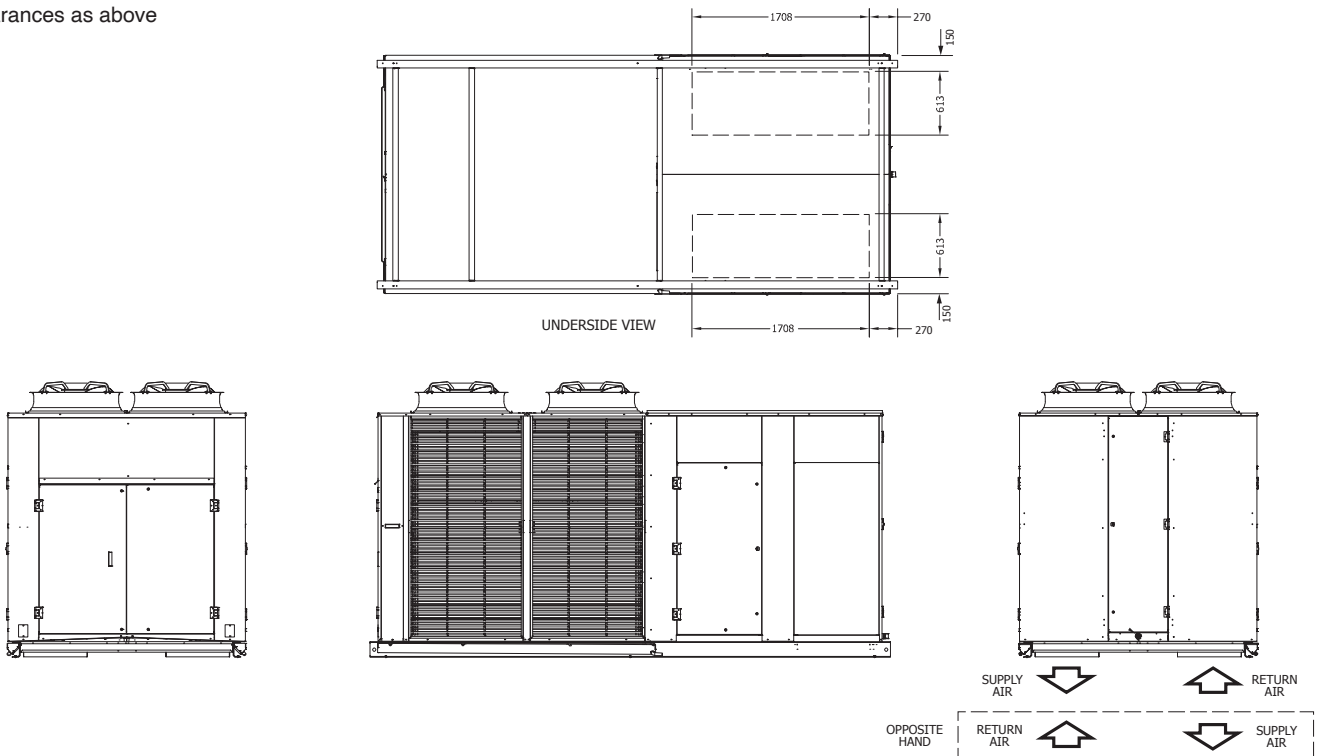
Multiple units side-by-side:
Allow a minimum of 2m
between coil faces.

	POINT LOADS (kg)					
	U	V	W	X	Y	Z
Std	505	412	318	425	447	470
c/w Ec	517	433	348	437	456	476



OPA 2110RLTMFPQD23(-Z) Downward Supply, Standard Hand

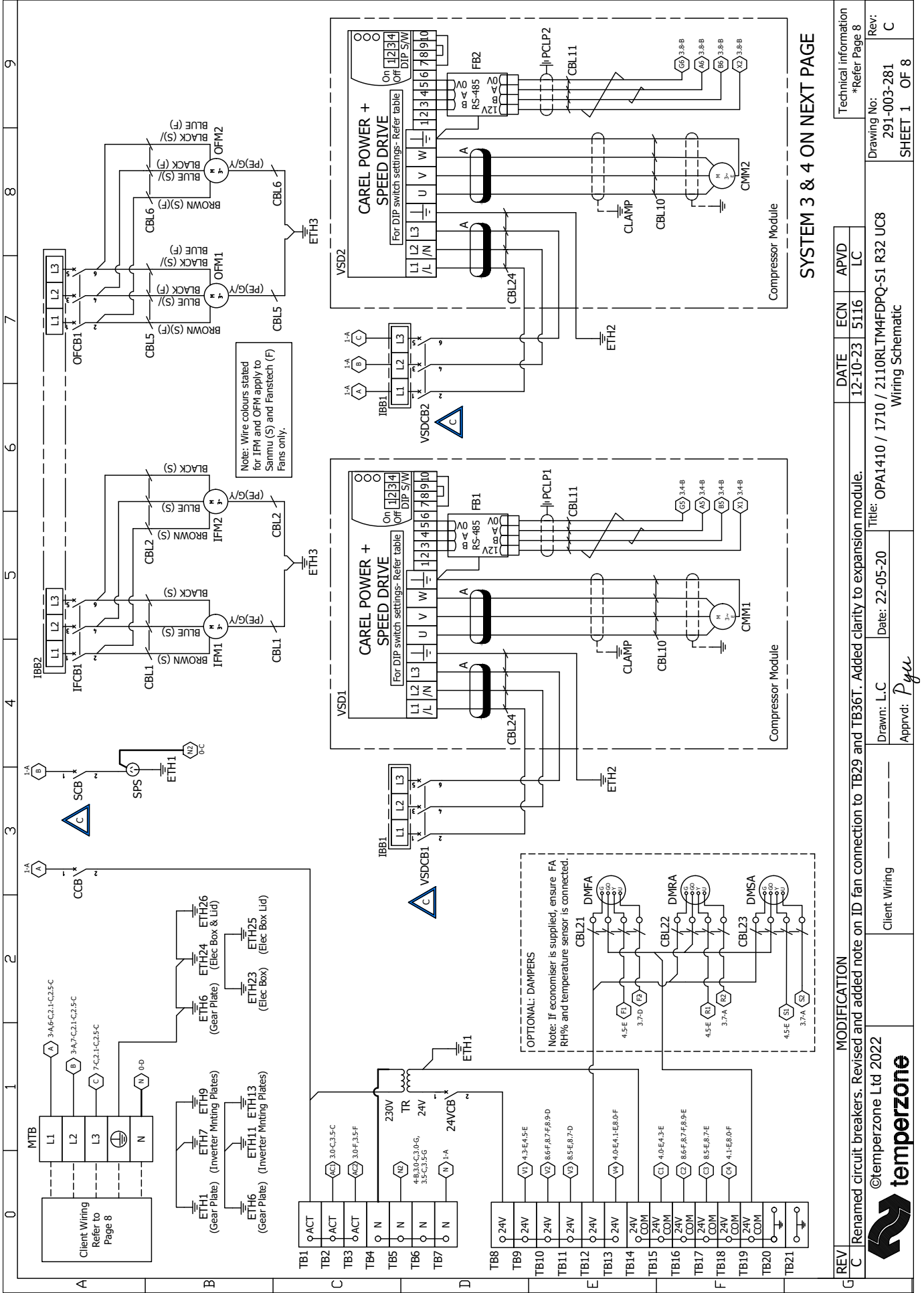
Clearances as above



NOTE

Specifications are subject to change without notice due to the manufacturer's ongoing research and development programme.

WIRING (1)

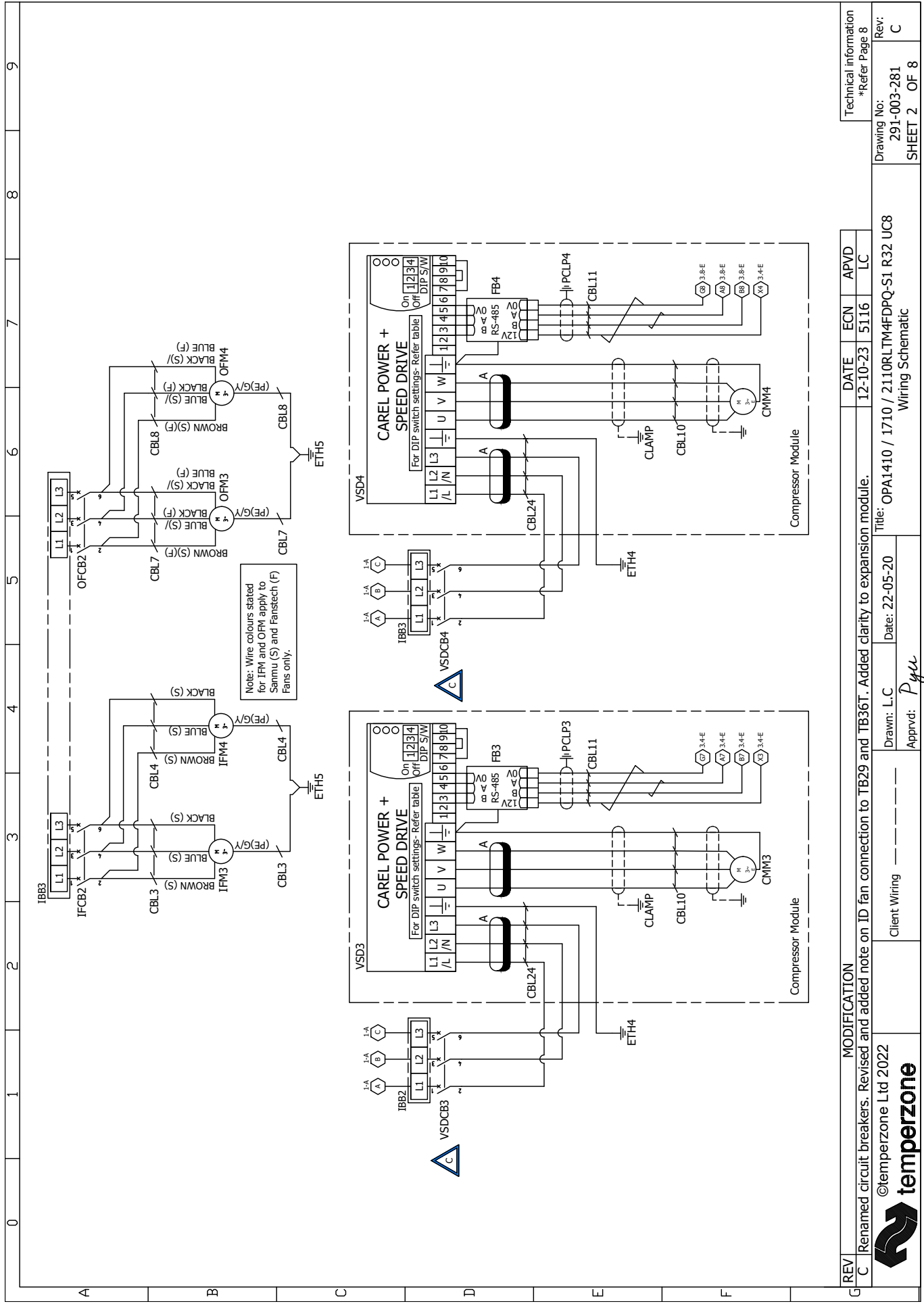


REV	MODIFICATION	DATE	ECN	APVD	Technical information
C	Renamed circuit breakers. Revised and added note on ID fan connection to TB29 and TB36T. Added clarity to expansion module.	12-10-23	5116	LC	*Refer Page 8

Drawn: L.C	Date: 22-05-20	Title: OPA1410 / 1710 / 2110RLTM4FDPO-S1 R32 UC8	Drawing No: 291-003-281	Rev: C
Approved: <i>Pylu</i>	Client Wiring	Wiring Schematic	SHEET 1	OF 8

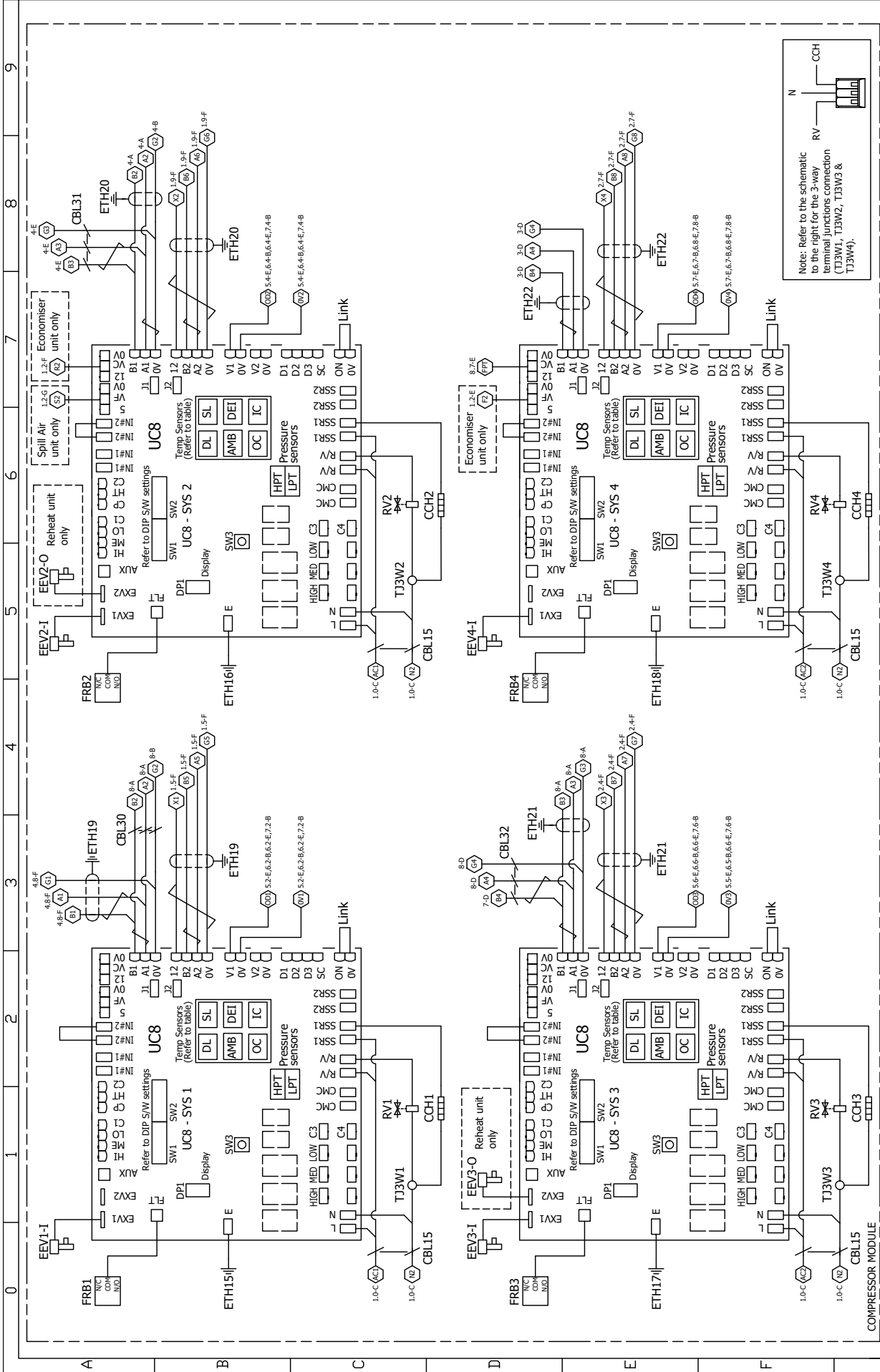


©temperzone Ltd 2022



REV	MODIFICATION	DATE	ECN	APVD	Technical information
C	Renamed circuit breakers. Revised and added note on ID fan connection to TB29 and TB36T. Added clarity to expansion module.	12-10-23	5116	LC	*Refer Page 8
Client Wiring		Drawn: L.C	Date: 22-05-20	Drawing No: 291-003-281	
©temperzone Ltd 2022		Approved: <i>Pyu</i>		Rev: C	
temperzone		Title: OPA1410 / 1710 / 2110RLTM4FDPO-S1 R32 UC8		SHEET 2 OF 8	
		Wiring Schematic			

WIRING (3)



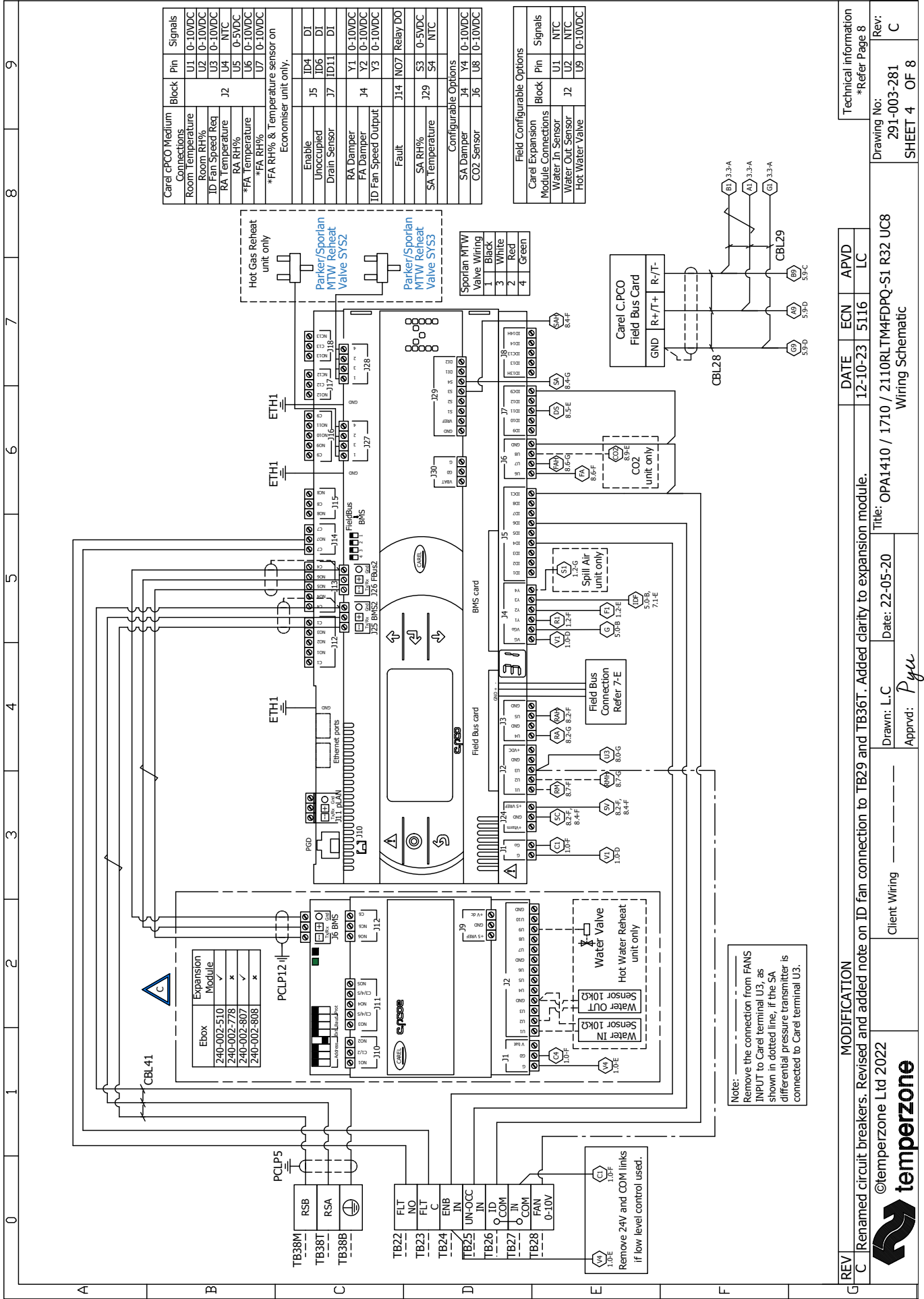
Note: Refer to the schematic to the right for the 3-way terminal junctions connection (TJ3W1, TJ3W2, TJ3W3 & TJ3W4).

REV	MODIFICATION	DATE	ECN	APVD	LC
C	Renamed circuit breakers. Revised and added note on ID fan connection to TB29 and TB36T. Added clarity to expansion module.	12-10-23	5116	LC	

Technical information	*Refer Page 8
Drawing No:	291-003-281
Rev:	C
Title:	OPA1410 / 1710 / 2110RLTM4FDPQ-S1 R32 UC8
Wiring Schematic	
Client Wiring	-----
Drawn: L.C	Date: 22-05-20
Apprvd: <i>Pyle</i>	



©temperzone Ltd 2022



Carel cPCO Medium Connections	Block	Pin	Signals
Room Temperature	U1	0-10VDC	U1 0-10VDC
Room RH%	U2	0-10VDC	U2 0-10VDC
ID Fan Speed Req	U3	0-10VDC	U3 0-10VDC
RA Temperature	U4	NTC	U4 NTC
RA RH%	U5	0-5VDC	U5 0-5VDC
*FA Temperature	U6	0-10VDC	U6 0-10VDC
*FA RH%	U7	0-10VDC	U7 0-10VDC

*FA RH% & Temperature sensor on Economiser unit only.

Enable	ID4	DI
Unoccupied	J5	DI
Drain Sensor	J7	DI
RA Damper	Y1	0-10VDC
FA Damper	Y2	0-10VDC
ID Fan Speed Output	Y3	0-10VDC
Fault	J14	NO7 Relay DO
SA RH%	J29	S3 0-5VDC
SA Temperature	S4	NTC

Configurable Options

SA Damper	J4	Y4 0-10VDC
CO2 Sensor	J6	T 08 0-10VDC

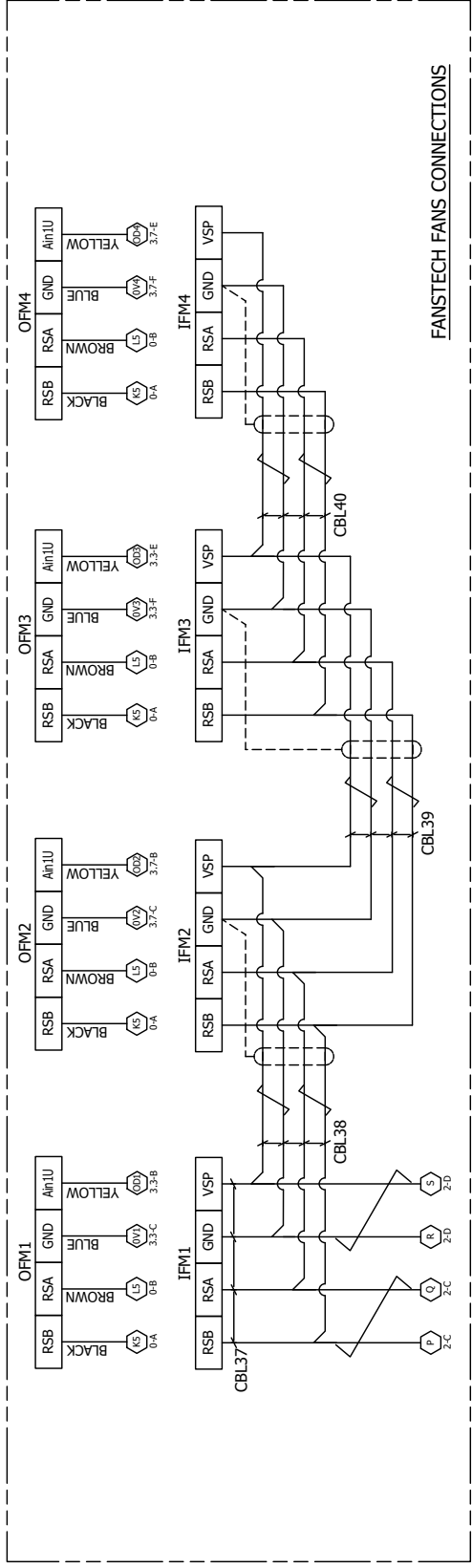
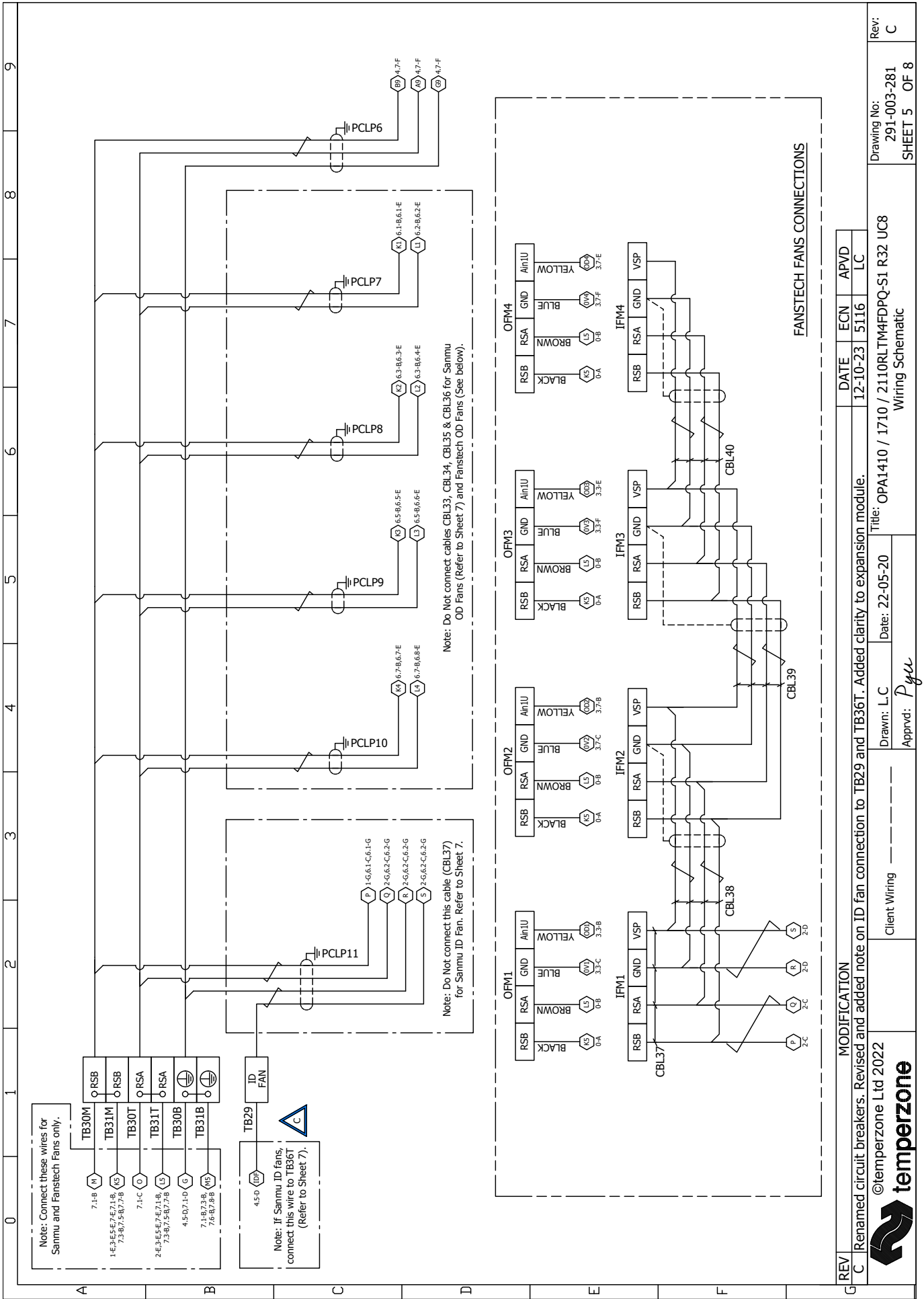
Field Configurable Options	Block	Pin	Signals
Carel Expansion Module Connections			
Water In Sensor	U1	NTC	U1 NTC
Water Out Sensor	U2	NTC	U2 NTC
Hot Water Valve	U9	0-10VDC	U9 0-10VDC

Note:
Remove the connection from FANS INPUT to Carel terminal U3, as shown in dotted line, if the SA differential pressure transmitter is connected to Carel terminal U3.

REV	MODIFICATION	DATE	ECN	APVD	Technical information
C	Renamed circuit breakers. Revised and added note on ID fan connection to TB29 and TB36T. Added clarity to expansion module.	12-10-23	5116	LC	*Refer Page 8

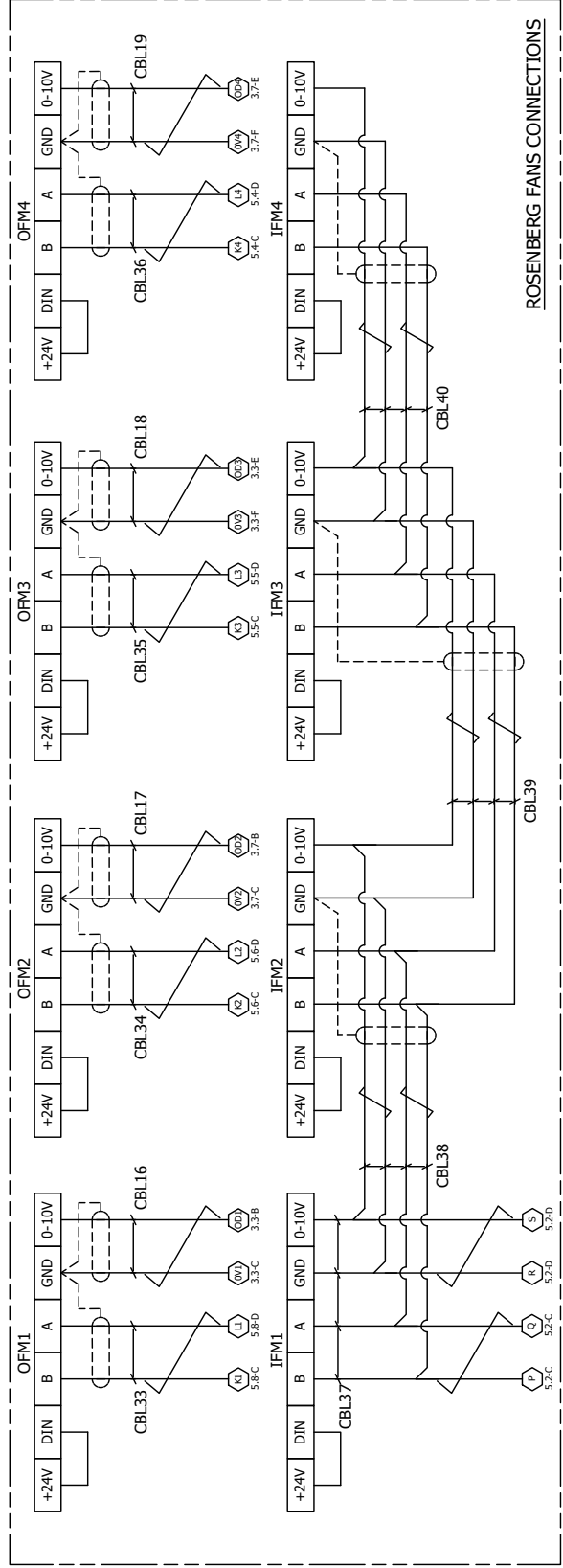
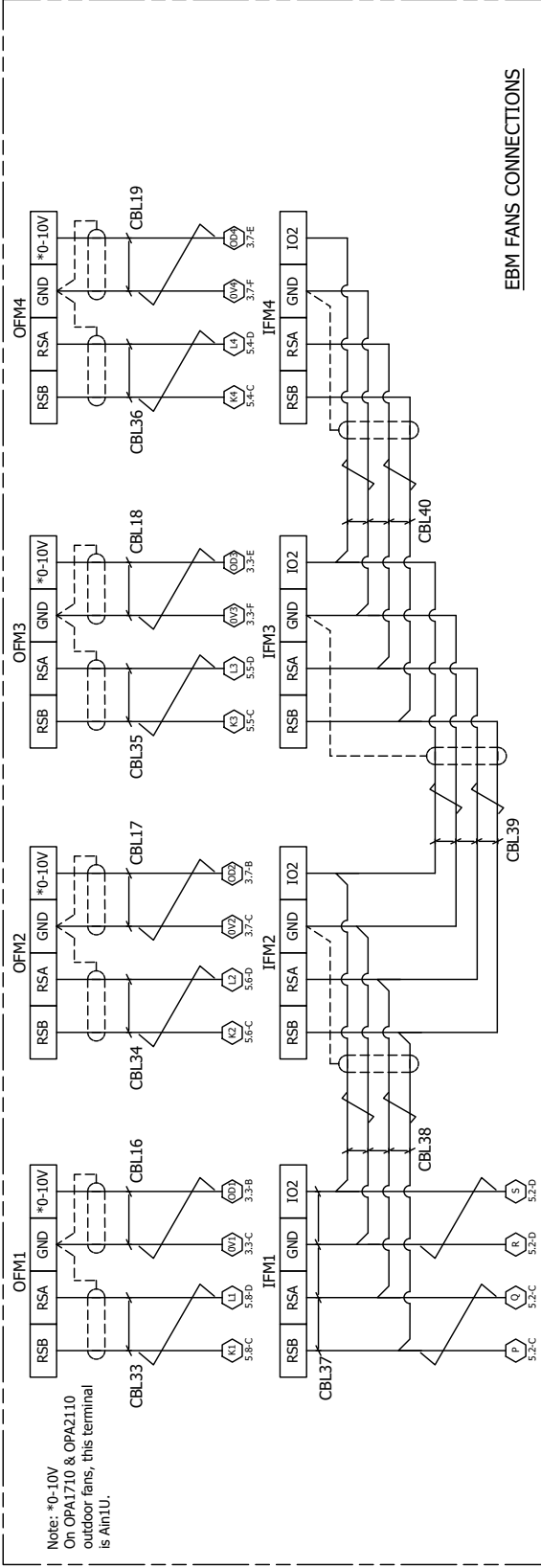
Client Wiring	Drawn: L.C	Date: 22-05-20	Rev: 291-003-281
	Approved: <i>Pyle</i>		C

©temperzone Ltd 2022	Drawing No: 291-003-281	Rev: C
temperzone	Wiring Schematic	SHEET 4 OF 8



REV	MODIFICATION			DATE	ECN	APVD
C	Renamed circuit breakers. Revised and added note on ID fan connection to TB29 and TB36T. Added clarity to expansion module.			12-10-23	5116	LC
©temperzone Ltd 2022				Drawn: L.C	Date: 22-05-20	Client Wiring
				Approvd: <i>Pyy</i>		
Drawing No: 291-003-281				Title: OPA1410 / 1710 / 2110RLTM4DPQ-S1 R32 UC8		Rev: C
SHEET 5				OF 8		Wiring Schematic

NOTE: THE FOLLOWING FANS CONNECTIONS APPLY, DEPENDING ON THE MAKE OF FANS INSTALLED IN THE UNIT.



REV	MODIFICATION	DATE	ECN	APVD
C	Renamed circuit breakers. Revised and added note on ID fan connection to TB29 and TB36T. Added clarity to expansion module.	12-10-23	5116	LC

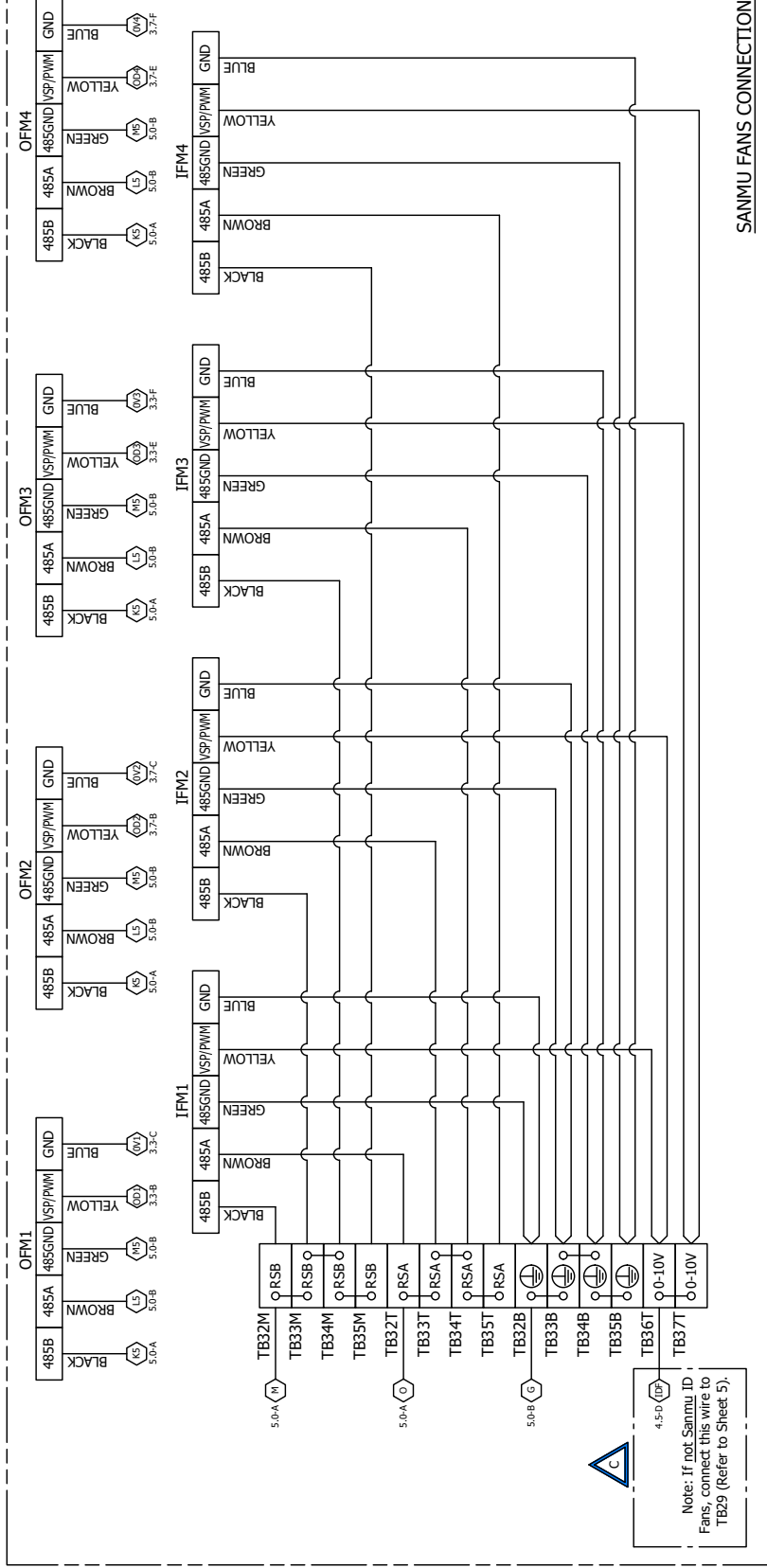
Client Wiring	_____	Date: 22-05-20	Title: OPA1410 / 1710 / 2110RLTM4FDPO-S1 R32 UC8
_____	_____	_____	Wiring Schematic

Drawing No:	291-003-281
Rev:	C
Sheet:	6 OF 8



0 1 2 3 4 5 6 7 8 9

NOTE: THE FOLLOWING FANS CONNECTIONS APPLY, DEPENDING ON THE MAKE OF FANS INSTALLED IN THE UNIT.



SANMU FANS CONNECTIONS

REV	MODIFICATION	DATE	ECN	APVD
C	Renamed circuit breakers. Revised and added note on ID fan connection to TB29 and TB36T. Added clarity to expansion module.	12-10-23	5116	LC

©temperzone Ltd 2022



Client Wiring

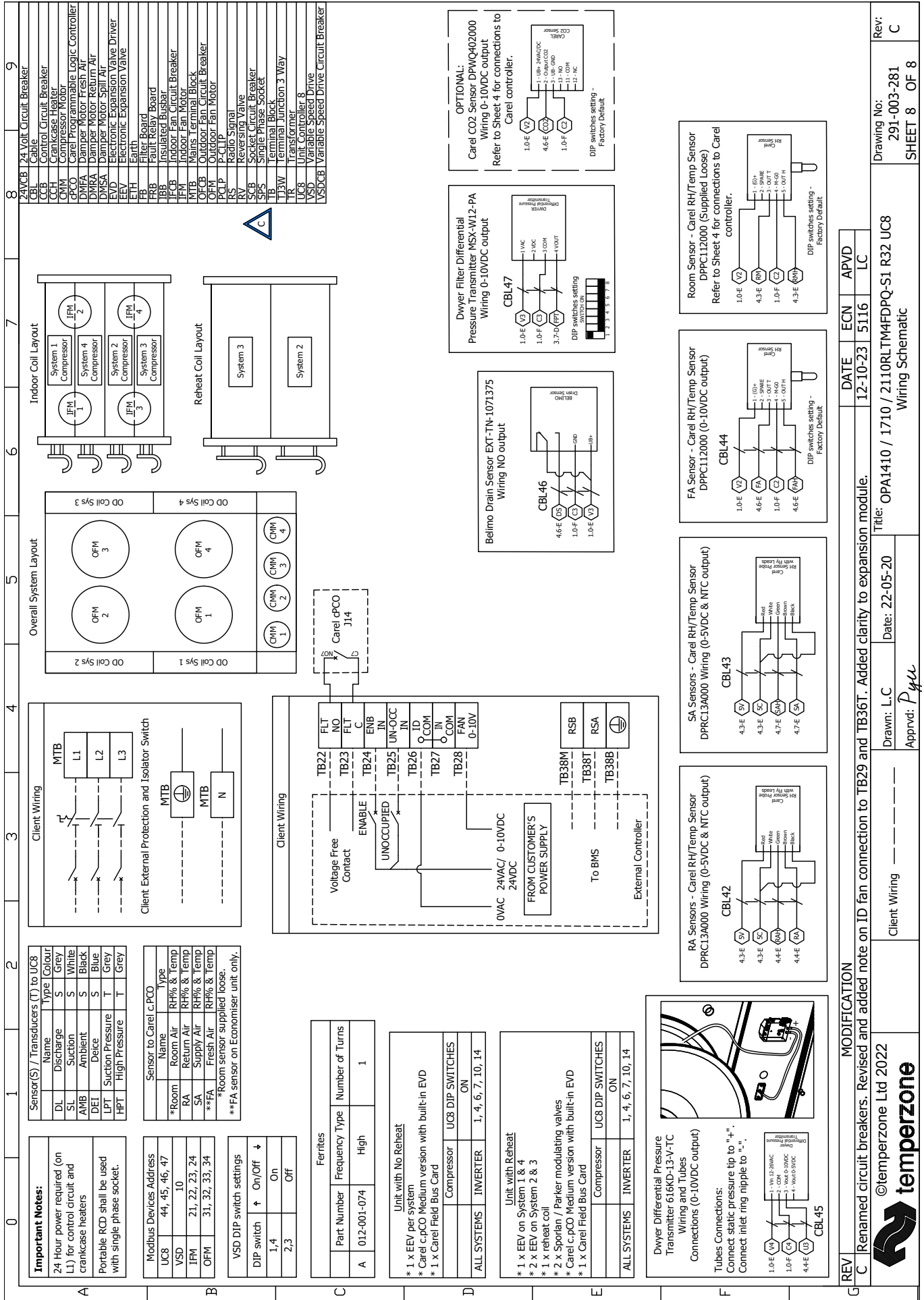
Drawn: L.C Date: 22-05-20

Approved: *Pyle*

Title: OPA1410 / 1710 / 2110RLTM4FDPO-S1 R32 UC8
Wiring Schematic

Drawing No: 291-003-281
SHEET 7 OF 8

Rev: C



MODIFICATION

REV	DATE	ECN	APVD
C	12-10-23	5116	LC

Renamed circuit breakers. Revised and added note on ID fan connection to TB29 and TB36T. Added clarity to expansion module.

Client Wiring

Drawing No: 291-003-281
SHEET 8 OF 8

Rev: C

Title: OPA1410 / 1710 / 2110RLTM4FDPQ-S1 R32 UC8
Wiring Schematic

Drawn: L.C Date: 22-05-20

Apprvd: *Pylu*

Client Wiring

Client Wiring

©temperzone Ltd 2022

