

Indoor Unit (845-211-001)	ISD 211LYX
Outdoor Unit (846-211-003-SPE)	OSA 211RLTFH (inverter)
Cooling capacity (net) *	19.0
Cooling capacity range (gross)	9.4 ~ 25.3 kW
Heating capacity *	20.8 kW
Heating capacity range	8.4 ~ 25.6 kW
Electrical input - cooling	6.0 kW
Electrical input - heating	5.8 kW
EER / AEER (cooling) *	3.15 / 3.13
COP / ACOP (heating) *	3.57 / 3.54
Unit Controllers	UC8 / IUC
Refrigerant	R32
Refrigerant precharge for 15 m	5.2 kg
Minimum floor area (@2.4m below ceiling diffuser)	14.4 m <sup>2</sup>
Additional charge req'd for over 15 m	60 g/m
Maximum line length	60 m
Max. charge / Min. floor area (below ceiling diffuser)	7.9 kg / 33.2 m <sup>2</sup>
Separation limit: OSA above ISD	20 m
Separation limit: OSA below ISD	20 m
Suction line	19 mm OD
Liquid line	9.5 mm OD
Compressor oil type	POE-46 (NXG5020 or equivalent)
Additional oil charge over 40 m length	10 ml/m
Compressor type	inverter scroll
Power supply via OSA **	3 ph. 400 V ac 50 Hz + N + E
Compressor (3ph.) run amps at rating cond. *	9.0 A
Indoor fan motor size	1250 W
Rated indoor fan speed	6.5 V
Indoor fan motor (1ph.) - full load	6 A
Outdoor fan motor (1ph.) - full load	1 A (x2)
Outdoor fan capacitor size	5 $\mu$ fd (x2)
Control circuit breaker (internal)	10 A
Running amps (total system) *	13.0 / 9.0 / 10.0 A
Max. running amps (total system)	23.0 / 14.5 / 15.5 A
RCD type recommended	type B, 30mA, 3 pole
Net weight ISD / OSA	86 / 129 kg

#### Accessories:

ISD Spring mounting kit	307-161-101
ISD Spigot plate adaptor Ø450 x 2 (NZ only)	525-311-715
ISD Filter box c/w EU2/G2 filter (NZ only)	493-000-006
ISD Replacement filter (NZ only)	119-000-082
ISD Supply air plenum Ø400 x 3 (NZ only)	492-000-005
ISD Return air plenum Ø400 x 3 (NZ only)	492-100-005
ISD Fresh air inlet spigot Ø150 (NZ only)	325-000-051
OSA Drain connection adaptor 25/13mm	060-000-039
OSA Anti-vibration mounts - rubber (x4)	060-000-170
OSA Wall mounting kit	526-061-007

#### Optional Controls:

SAT-3 Room temperature controller	201-000-146
Six Zone Control kit for SAT-3	201-000-073
TZT-100 Room temperature controller	201-000-350

Refer to temperzone for other options, eg remote sensors, connection wires.

\* Tested in accordance with AS/NZS 3823

19044

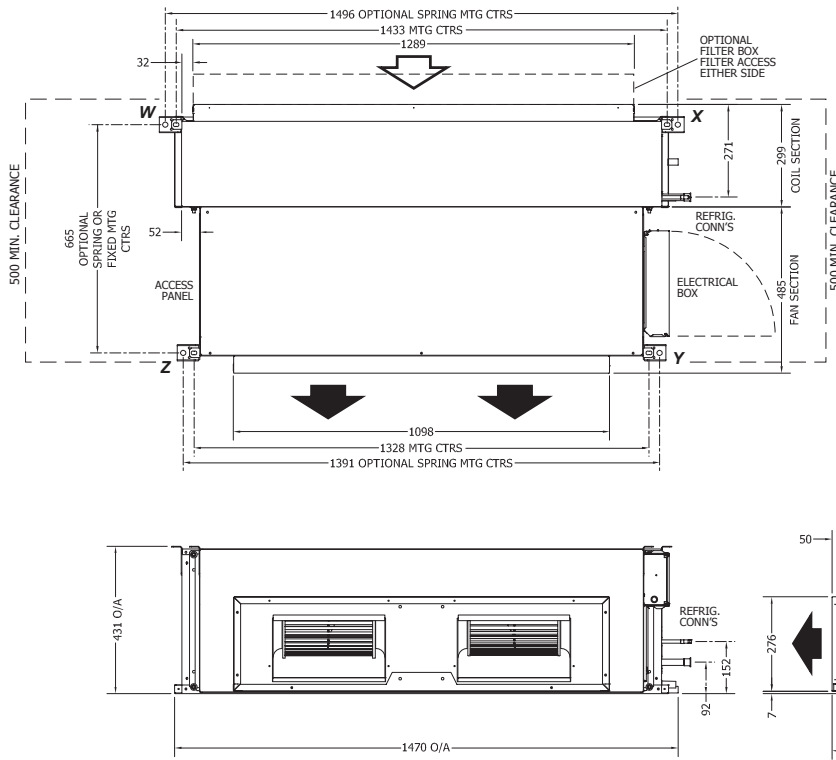
\*\* Voltage range: 380–440V.

# DIMENSIONS (mm)



Not to Scale

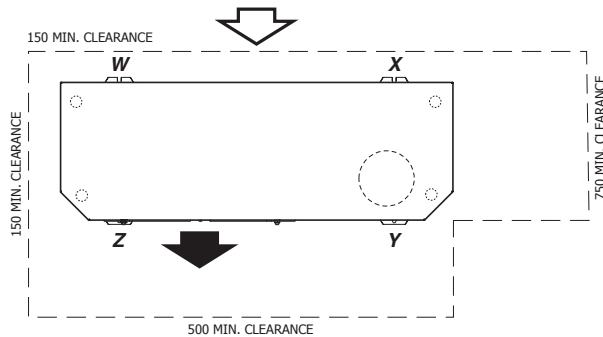
## ISD 211LYX Indoor Unit



POINT LOADS (kg)			
W	X	Y	Z
21	24	21	20

**Note:** Fan motor can be accessed from panel above, below or sides; no more than two panels at once.

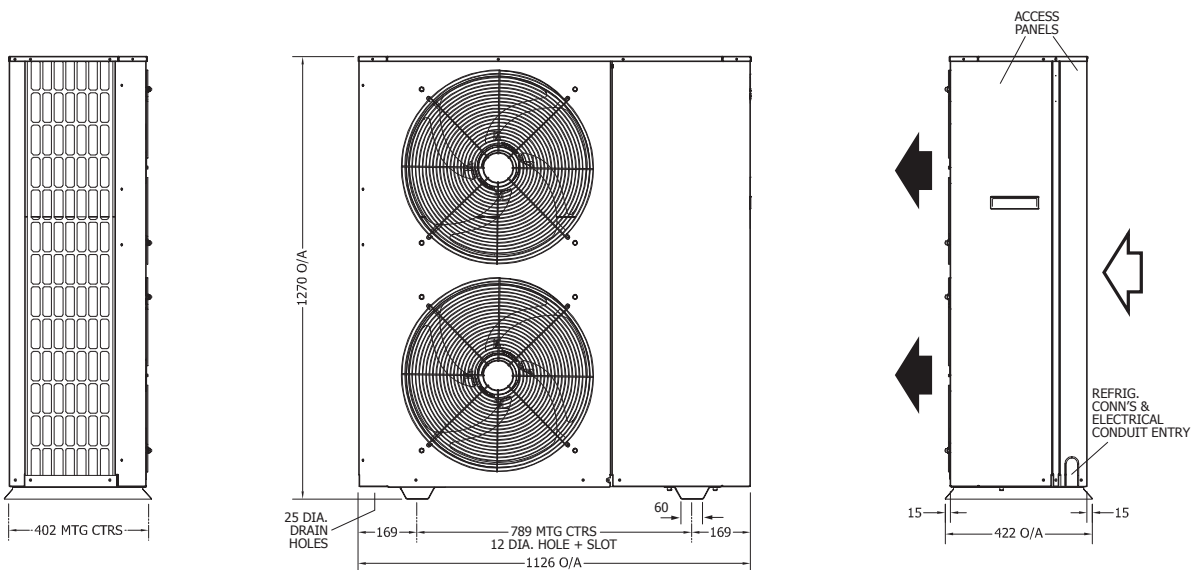
## OSA 211RLTF Outdoor Unit



POINT LOADS (kg)			
W	X	Y	Z
21	40	37	34

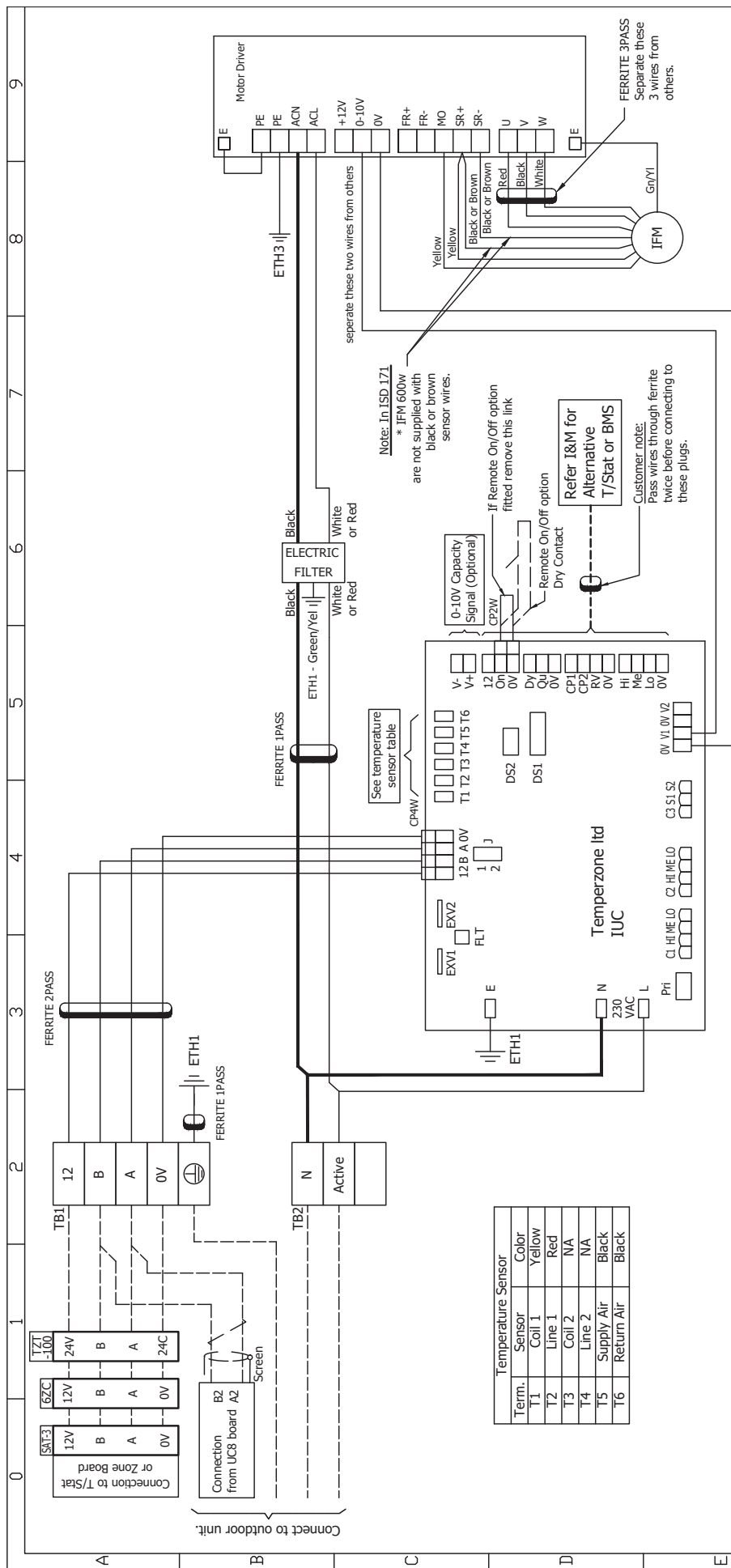
### Recommended Connecting Pipe Sizes

Suction : 19 mm OD  
Liquid : 9.5 mm OD



### NOTE

Specifications are subject to change without notice due to the manufacturer's ongoing research and development programme.



Factory Default DIP switch Selections for Models

UNIT	DS1 DIP switch selections				DS2 DIP switch selections			
	DIP 1	DIP 2	DIP 3	DIP 4	DIP 1	DIP 2	DIP 3	DIP 4
ISD171	On	On	Off	On	On	Off	Off	Off
ISD211	On	On	Off	On	On	Off	Off	Off
ISD251	On	On	Off	On	On	Off	Off	Off


Site commissioning DIP switch setting options

Step 1: Set Output Voltage for HIGH		Step 2: Set Voltage Range LOW-HIGH			
DIP 1	DIP 2	DIP 3	DIP 4	DIP 5	RANGE
Off	Off	Off	Off	Off	2
On	Off	Off	Off	On	3
Off	Off	Off	On	Off	4.5
On	On	Off	On	On	6

6ZC	CP2W	IFM	IUC	SAT-3	TB	TZ1-100
6 Zone Controller	Connector Plug 2 Way	Connector Plug 4 Way	Indoor Fan Motor	Indoor Unit Controller	SAT-3 Controller	Terminal block

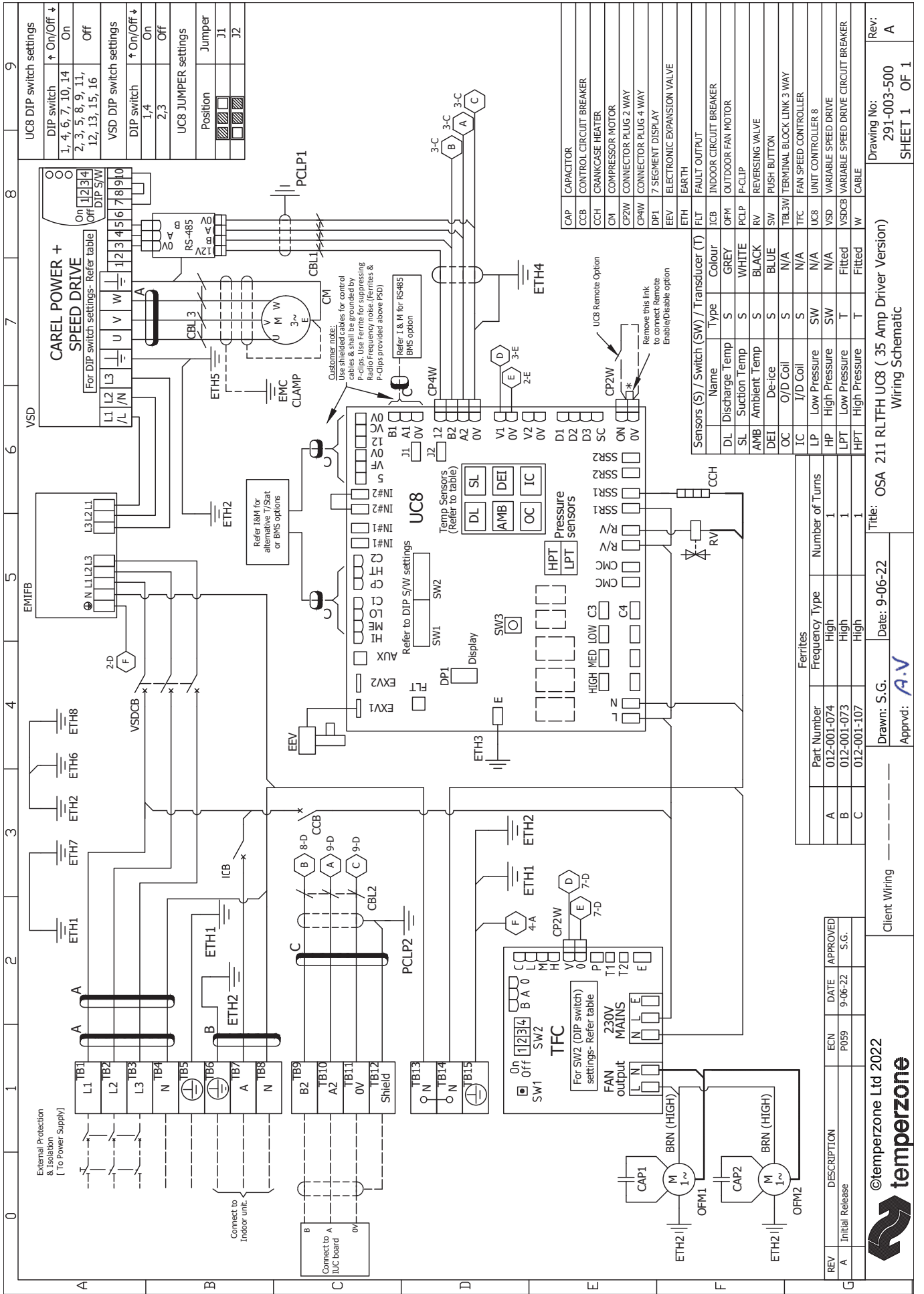
IUC Board Jumper selection (J)	
Position	Definition
1	Cable length > 10m and IUC is at terminating of cable.
2	Cable length < 10m and/or not at cable terminating end. (DEFAULT)

REV	DESCRIPTION	ECN	DATE	APPROVED
A	Initial Release			
B	EMC compliance updates.	N4327	26-08-20	A.W.G.
C	Temp Sensor T2 color Red was Blue	N4345	30-12-20	R.P.B.
D	Updated DIP switch settings for ISD 211 and 251.	5027	24-03-22	R.K.


**temperzone** Ltd 2019  
 DO NOT SCALE - ASK  
 Client Wiring  
 Title: ISD 171/211/251 LYX Wiring Schematic  
 Date: 24-07-19  
 Drawn: D.A.B. *BK*  
 Approved: *PJL*  
 Drawing No: 291-003-099  
 SHEET 1 OF 1  
 Rev: D

Notes:  
To adjust indoor fan speed L/M/H settings, see section 5.2.6 of Installation & Maintenance document

Indoor-Outdoor Connection Wiring: refer 'Installation & Maintenance' pamphlet, page 6.



Drawing No: 291-003-500  
SHEET 1 OF 1

Title: OSA 211 RLTFH UC8 (35 Amp Driver Version)  
Wiring Schematic

Drawn: S.G. Date: 9-06-22  
Approved: A.V.

Client Wiring

