

SPECIFICATIONS



Air Handling Unit (345-180-XYZ / 345-185-000) ¹	MT 180	
Nominal Air Volume ²	5 000 l/s	
Nominal Cooling Capacity ³	4 row	114 kW
	6 row	140 kW
	8 row	157 kW
Nominal Heating Capacity ⁴	1 row	128 kW
	2 row	122 kW
Fan type	EC plug (x2)	
Fan motor size (3ph.)	2800 W / 500 mm dia.	
Unit Max. running amps (total)	8.8 A /ph.	
Protection Rating	IP4X	
Power supply ⁵	3 ph. 400 V ac 50 Hz + N + E	
RCD type recommended	type A, 30 mA, 3 pole	
Net weight – fan coil section	429 – 522 kg ⁶	
Net weight – plenum section – bare	184 kg	
Net weight – plenum section – damper mix	215 kg	
Shipping weight – fan coil section	498 – 591 kg ⁶	
Shipping weight – plenum section – bare	247 kg	
Shipping weight – plenum section – damper mix	278 kg	

Accessories:

Filter - rated EU4/G4 disposable	019-000-158 594 x 594 x 44 (x6)
Filter - rated EU4/G4 washable	019-400-140 594 x 594 x 46 (x6)
Filter - rated F7 bag type	019-400-153 592 x 592 x 600 (x6)
Filter - rated F9 cartridge type	019-400-160 592 x 592 x 292 (x6)

Optional:

Chilled water coil 1/2"	4 / 6 / 8 row
Hot water coil 1/2"	1 / 2 row

Refer to temperzone for other options, eg remote sensors

¹ X = cooling coil rows, Y = heating coil rows and Z = handing. (Fan Coil Section / Plenum Section {bare})

² Based on 2.5 m/s coil face velocity

³ Cooling at nominal air flow, EAT 27 °C db / 19 °C wb, EWT 6°C, LWT 13°C.

⁴ Heating at nominal air flow, EAT 15 °C, EWT 80°C, LWT 60°C.

⁵ Voltage range: 380–440V

⁶ Depending on coil configuration; refer table page 2

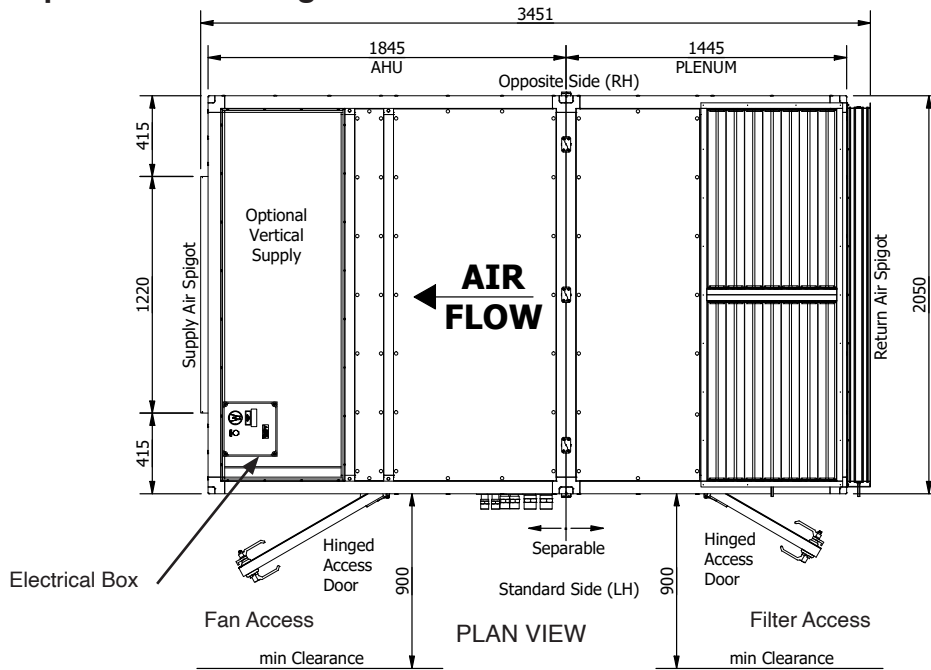
DIMENSIONS (mm)



MT 180 Complete Air Handling Unit

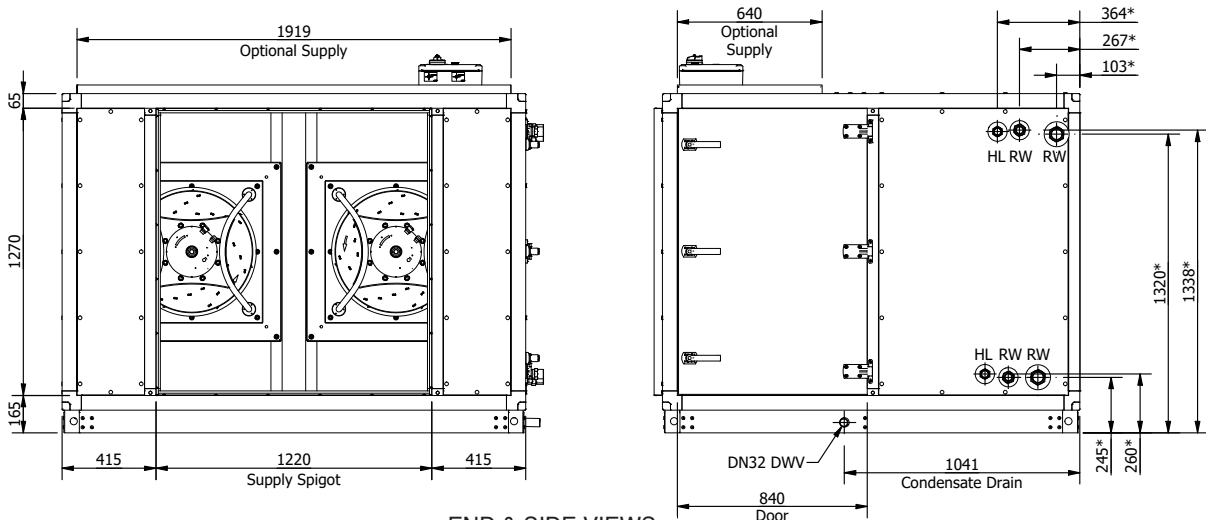
Not to Scale

Pipe Connections
1/2" male BSP



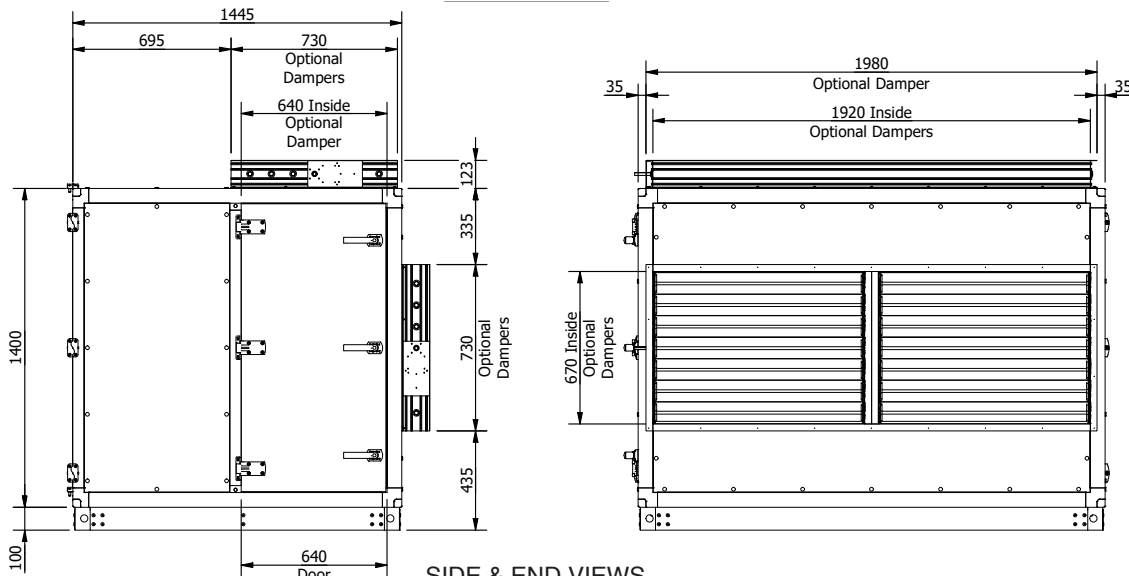
PLAN VIEW

MT 180 Fan Coil Section



END & SIDE VIEWS

MT 180 Plenum Section

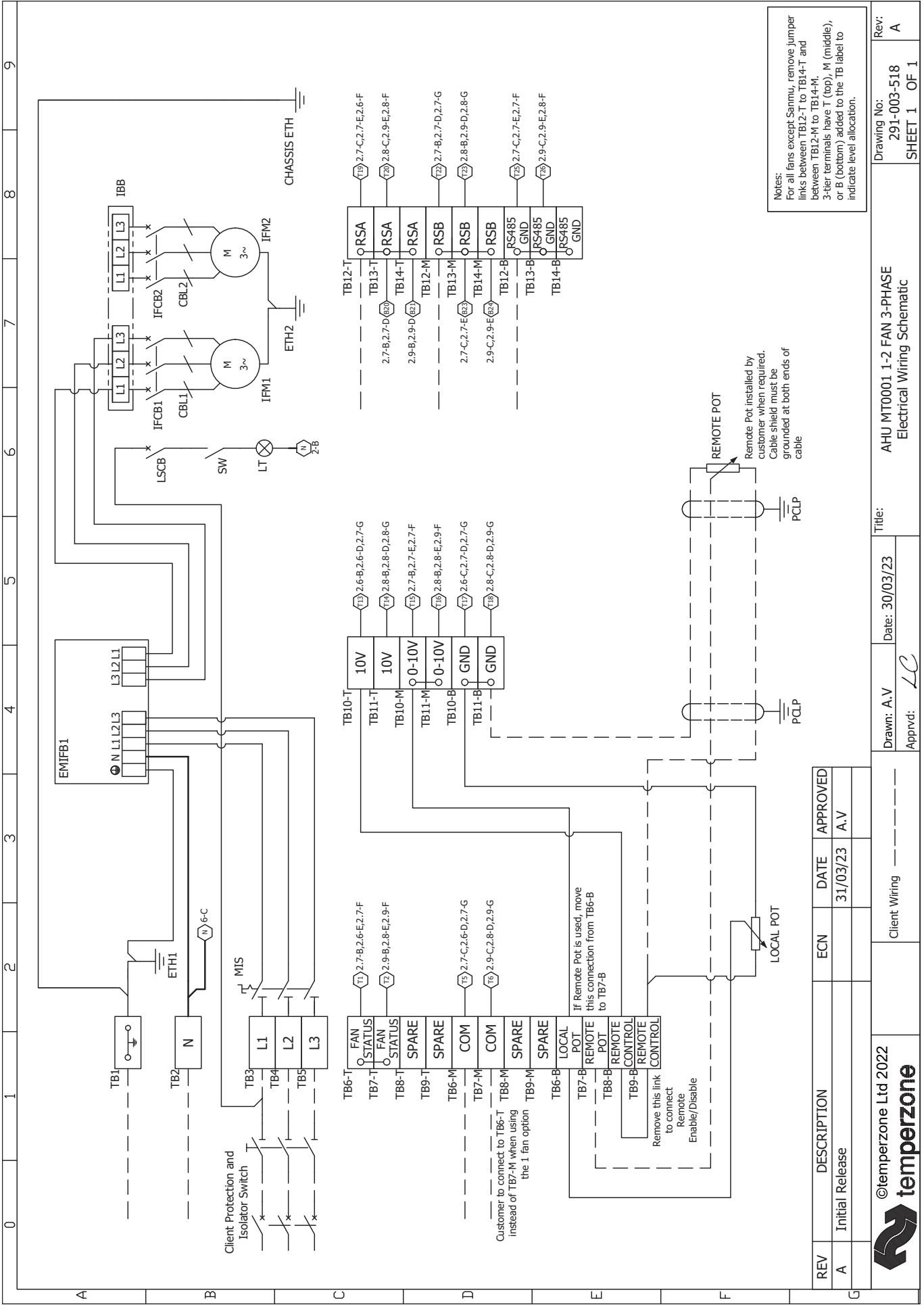


SIDE & END VIEWS

NOTE

Specifications are subject to change without notice due to the manufacturer's ongoing research and development programme.

WIRING



REV	DESCRIPTION	ECN	DATE	APPROVED
A	Initial Release		31/03/23	A.V

©temperzone Ltd 2022

Client Wiring

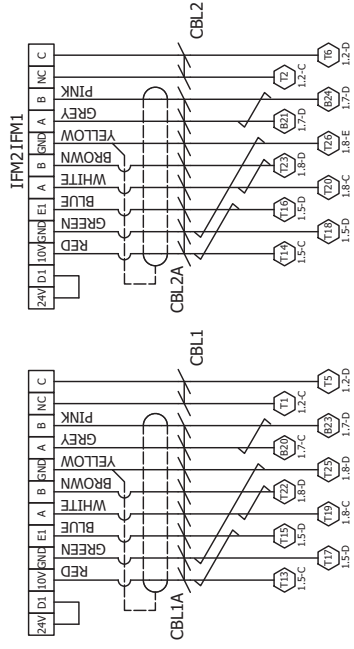
Drawn: A.V
 Date: 30/03/23
 Title: AHU MT0001 1-2 FAN 3-PHASE Electrical Wiring Schematic
 Approved: LC

Rev: A
 Drawing No: 291-003-518
 SHEET 1 OF 1

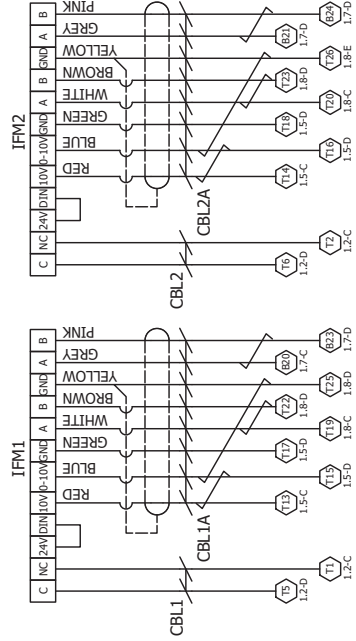
	0	1	2	3	4	5	6	7	8	9																										
A	<table border="1"> <tr><td>CBL</td><td>CABLE</td></tr> <tr><td>EMIFB</td><td>MAINS EMI FILTER BOARD</td></tr> <tr><td>ETH</td><td>EARTH STUD</td></tr> <tr><td>IBB</td><td>INTERCONNECTING BUSBAR</td></tr> <tr><td>IFCB</td><td>INDOOR FAN CIRCUIT BREAKER</td></tr> <tr><td>IFM</td><td>INDOOR FAN MOTOR</td></tr> <tr><td>LSCB</td><td>LIGHT SWITCH CIRCUIT BREAKER</td></tr> <tr><td>LT</td><td>CLASS II LIGHT FITTING</td></tr> <tr><td>MIS</td><td>MAIN ISOLATION SWITCH</td></tr> <tr><td>PCLP</td><td>SHIELD GROUNDING CLIP</td></tr> <tr><td>POT</td><td>POTENTIOMETER</td></tr> <tr><td>SW</td><td>SWITCH</td></tr> <tr><td>TB</td><td>TERMINAL BLOCK</td></tr> </table>	CBL	CABLE	EMIFB	MAINS EMI FILTER BOARD	ETH	EARTH STUD	IBB	INTERCONNECTING BUSBAR	IFCB	INDOOR FAN CIRCUIT BREAKER	IFM	INDOOR FAN MOTOR	LSCB	LIGHT SWITCH CIRCUIT BREAKER	LT	CLASS II LIGHT FITTING	MIS	MAIN ISOLATION SWITCH	PCLP	SHIELD GROUNDING CLIP	POT	POTENTIOMETER	SW	SWITCH	TB	TERMINAL BLOCK									
CBL	CABLE																																			
EMIFB	MAINS EMI FILTER BOARD																																			
ETH	EARTH STUD																																			
IBB	INTERCONNECTING BUSBAR																																			
IFCB	INDOOR FAN CIRCUIT BREAKER																																			
IFM	INDOOR FAN MOTOR																																			
LSCB	LIGHT SWITCH CIRCUIT BREAKER																																			
LT	CLASS II LIGHT FITTING																																			
MIS	MAIN ISOLATION SWITCH																																			
PCLP	SHIELD GROUNDING CLIP																																			
POT	POTENTIOMETER																																			
SW	SWITCH																																			
TB	TERMINAL BLOCK																																			
B																																				
C																																				
D																																				
E																																				
F																																				
G																																				

IFM OPTIONS

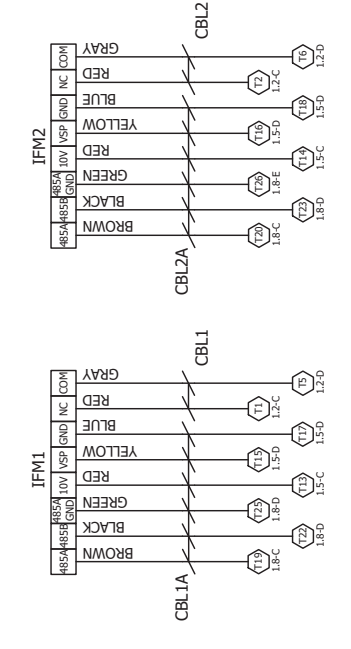
Note: Fan options will change subject to fan supply availability



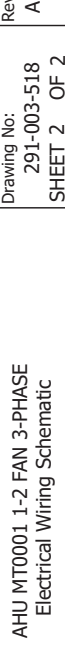
OPTION A - Ziehl Abegg



OPTION B - Rosenberg



OPTION C - Sanmu



REV	DESCRIPTION	ECN	DATE	APPROVED
A	Initial Release		31/03/23	A.V

©temperzone Ltd 2022

Client Wiring -----
 Drawn: A.V
 Appvd: LC

Title: AHU MT0001 1-2 FAN 3-PHASE
 Electrical Wiring Schematic

Drawing No: 291-003-518
 SHEET 2 OF 2
 Rev: A