

SPECIFICATIONS



Model	OPA 970RLTB1FPQ-Z Econex
Configuration	Horizontal Supply Air
Item No. (Standard / Opposite Hand)	867-097-701 / 867-097-710
Configuration	Downward Supply Air
Item No. (Standard / Opposite Hand)	867-097-723 / 867-097-732
Cooling capacity (net) ¹	88.9 kW
Cooling capacity range (gross)	15.4 ~ 99.2 kW
Heating capacity ¹	88.2 kW
Heating capacity range	14.3 ~ 96.1 kW
Electrical input - cooling	30.0 kW
Electrical input - heating	26.3 kW
EER / AEER (cooling) ¹	2.97 / 2.96
COP / ACOP (heating) ¹	3.35 / 3.34
Operating Range (outdoor ambient) - cooling	-10°C ~ 50°C
Operating Range (outdoor ambient) - heating	-10°C ~ 25°C
Controller	UC8 (x2)
Refrigerant	R32
Refrigerant Charge	10.5 kg/sys.
Minimum floor area (@2.4m below ceiling diffuser)	59 m ²
Compressor oil type	POE-46 (NXG5020 or equivalent)
Compressor type	inverter + fixed scroll
Power supply ²	3 ph. 400 V ac 50 Hz + N + E
Compressor (3ph.) run amps at rating cond.(inv./fixed)	19 A/ph.(x1) / 15.5 A/ph.(x1)
Compressor + VSD circuit breaker	32 A (x2)
Indoor fan motor size	EC Plug 500 dia. 3.65kW (x2)
Nominal air flow at rating conditions	4 800 l/s
Indoor fan motor (3ph.) - full load	4.5 A/ph. (x2)
Outdoor fan motor (3ph.) - full load	5.5 A/ph. (x2)
Outdoor fan - max. external static available@ 11 500 l/s	125 Pa
Control circuit breaker (internal)	2 A
Single phase socket circuit breaker	10 A
Running amps (total system) ¹	46 / 43 / 46 A
Max. running amps (total system)	64 / 63 / 64 A
RCD type recommended	type B, 30mA, 3 pole
Net weight (excl. cowl)	1294 kg
Shipping weight (excl. cowl)	1320 kg
Net Weight c/w Economiser	1346 kg

Accessories:

TZT-100 Room temperature controller ⁴	201-000-792
Filters - rated EU4/G4 disposable	019-400-004 500x500x50 (x9) ³
Filters - rated EU4/G4 washable (NZ Only)	019-000-033 500x500x50 (x9) ³
Drain tundish (2 per set; 2 sets required)	060-000-653

Refer to temperzone for other options.

¹ Tested in accordance with AS/NZS 3823

23001

² Voltage range: 380-440V

³ Filter sizes are nominal; refer to Temperzone for actual measurements.

⁴ Not suitable for controlling Economiser dampers

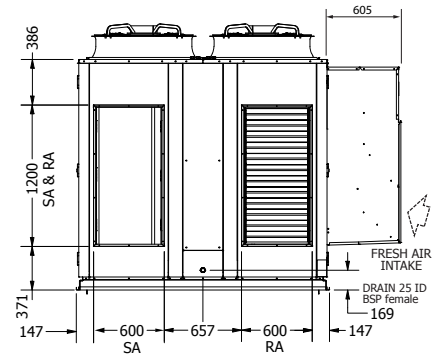
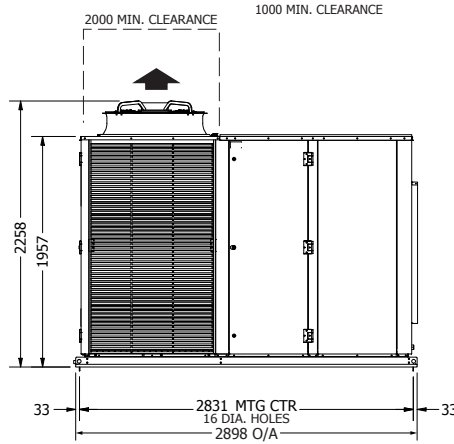
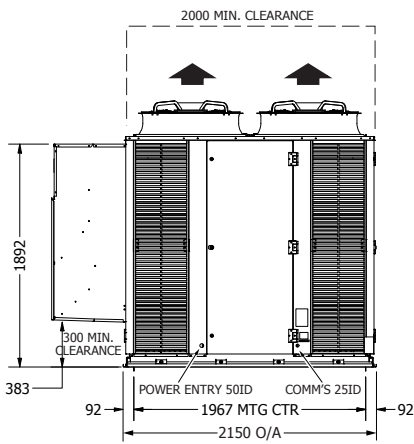
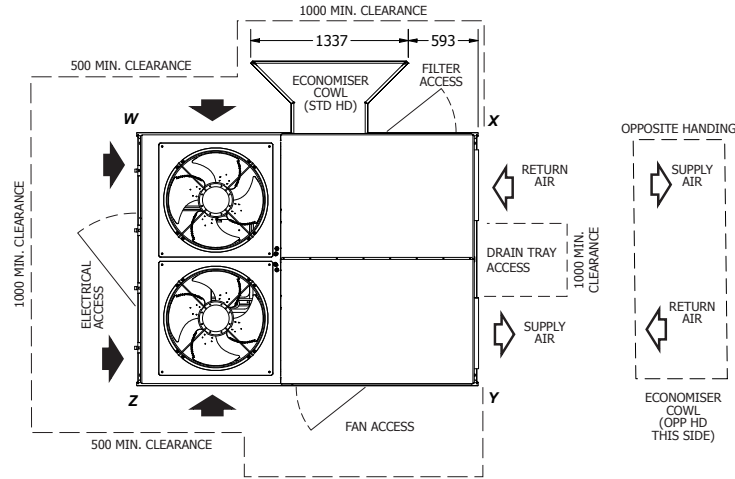
DIMENSIONS (mm)



OPA 970RLTBFPQ01-Z Standard Hand, Horizontal Supply

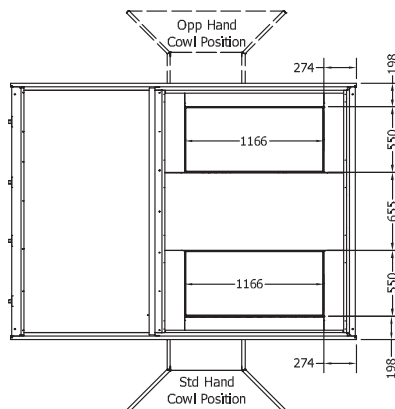
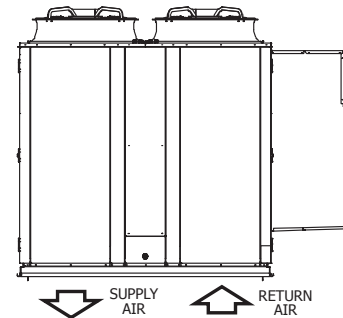
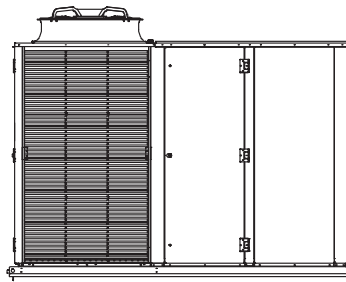
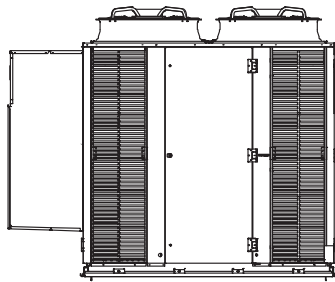
Not to Scale

	POINT LOADS (kg)			
	W	X	Y	Z
Eco Std	356	304	295	391
Eco Opp	349	281	319	398



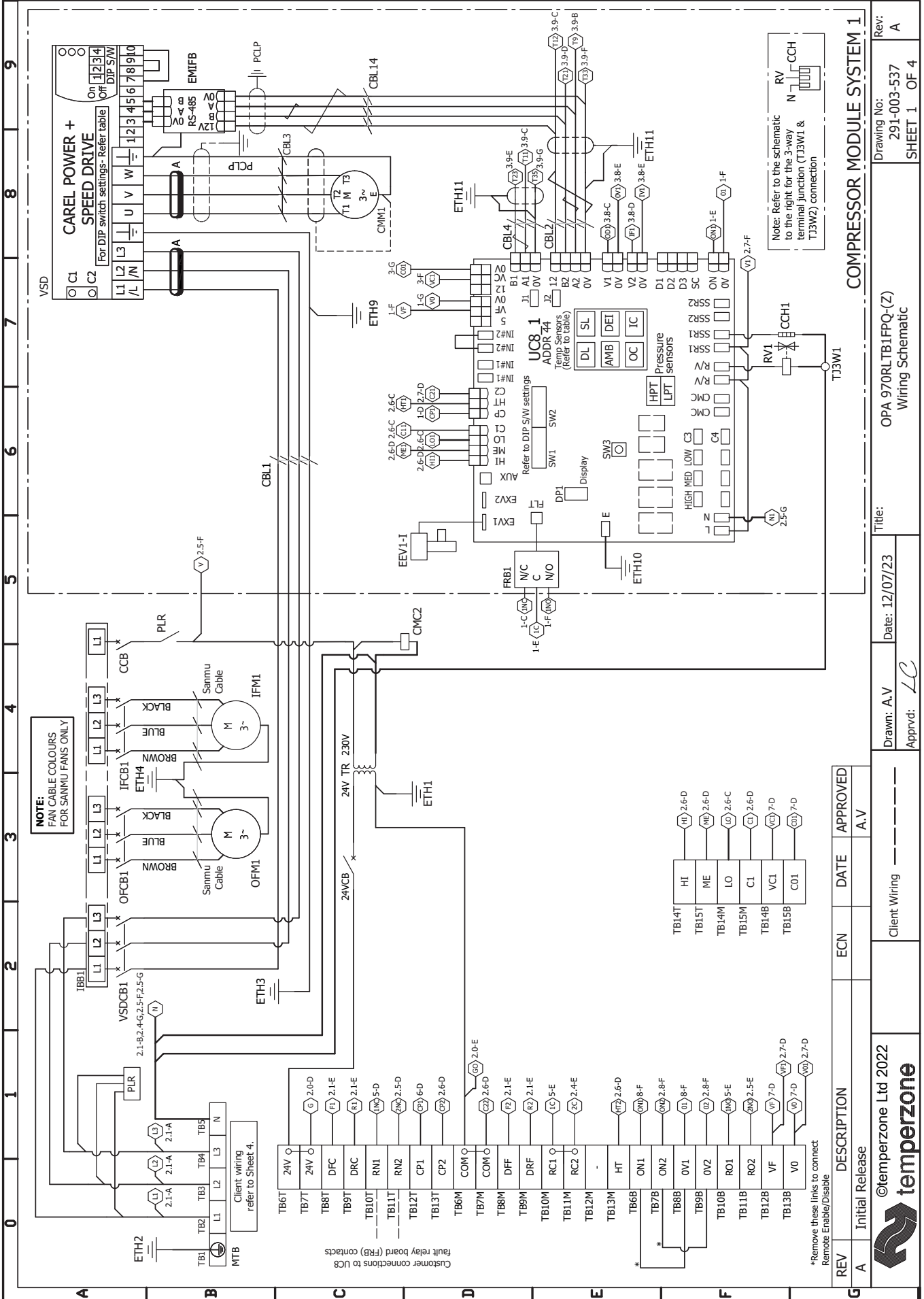
OPA 970RLTBFPQ23-Z Standard Hand, Downward Supply

Clearances as above



NOTE

Specifications are subject to change without notice due to the manufacturer's ongoing research and development programme.



COMPRESSOR MODULE SYSTEM 1

Rev: A
Drawing No: 291-003-537
SHEET 1 OF 4

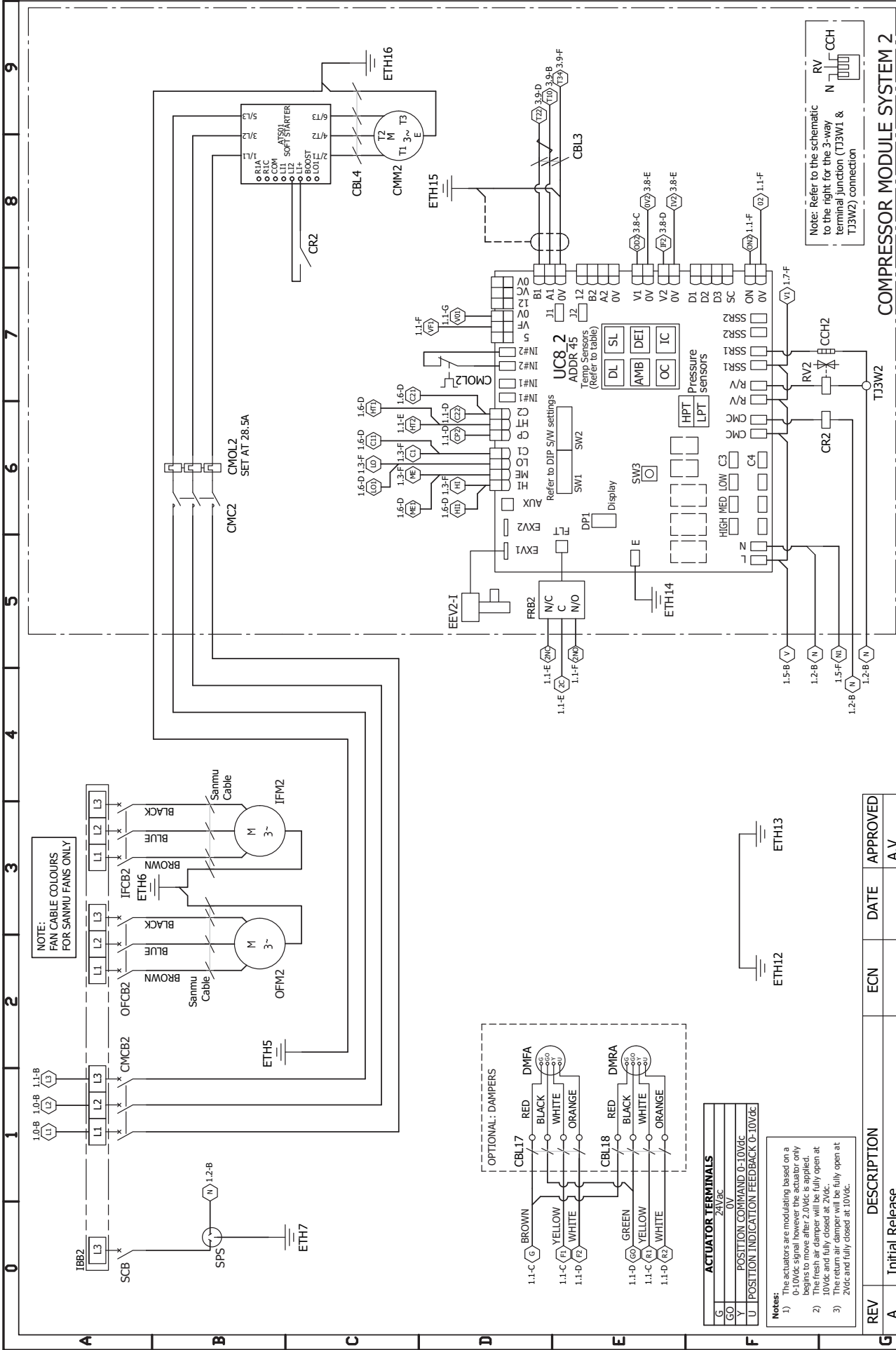
Title: OPA 970RLTB1FPQ(-Z) Wiring Schematic

Date: 12/07/23
Drawn: A.V
Approved: LC

REV	DESCRIPTION	ECN	DATE	APPROVED
A	Initial Release			A.V

Client Wiring





©temperzone Ltd 2022
temperzone

Client Wiring

Drawn: A.V
 Date: 12/07/23
 Approved: LC

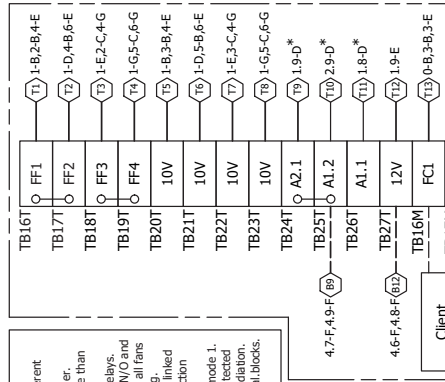
Title: OPA 970RLTB1FPQ-(Z)
 Wiring Schematic

Rev: 291-003-537
 SHEET 2 OF 4

COMPRESSOR MODULE SYSTEM 2

0 1 2 3 4 5 6 7 8 9

NOTE: THE FOLLOWING FANS CONNECTIONS APPLY, DEPENDING ON THE MAKE OF FANS INSTALLED IN THE UNIT.



Notes:

- 1) Ensure spare wires are cut at different lengths and cable tied back to the insulation to avoid shorting together.
- 2) For all fan fault relays use no more than 24V/1A.
- 3) **DO NOT USE** 230V for fan fault relays. Though Sammu fans are wired as N/O and Rosenberg/EBM are wired as N/C, all fans have the same functional switching.
- 4) Fan fault relays (FF/PCO) are linked together in a series connection with a common fan fault.
- 5) Sammu fan fault indication set to mode 1.
- 6) All outdoor fan cables shall be protected with Cabralflex conduit from UV radiation. *RS485 cables to be P clipped at terminal blocks.

