

SPECIFICATIONS



Model	OPA 2110RLTM4FPQD-I(Z) Econex Pro
Configuration	Horizontal Supply Air
Reheat Model Item No. (Standard / Opposite Hand)	886-211-701 / 886-211-710
Unit c/w Economiser Item No. (Standard / Opposite Hand)	887-211-701 / 887-211-710
Configuration	Downward Supply Air
Reheat Model Item No. (Standard / Opposite Hand)	886-211-723 / 886-211-732
Unit c/w Economiser Item No. (Standard / Opposite Hand)	887-211-723 / 887-211-732
Cooling capacity (net) ¹	207 kW
Cooling capacity (gross) range	27 ~ 239 kW
Heating capacity ¹	203 kW
Heating capacity (gross) range	15 ~ 244 kW
Electrical input - cooling	67.3 kW
Electrical input - heating	57.4 kW
EER / AEER (cooling) ¹	3.07 / 3.06
COP / ACOP (heating) ¹	3.54 / 3.53
Operating Range (outdoor ambient) - cooling	-10°C ~ 50°C
Operating Range (outdoor ambient) - heating	-10°C ~ 25°C
Master Controller	<i>c.pCO</i>
Slave Controllers	UC8 (x4)
Refrigerant	R32
Refrigerant Charge – reheat model	9.8 kg (sys. 1 & 4) / 10.8 kg (sys. 2 & 3)
Minimum floor area (@5m below ceiling diffuser)	11.8/14.3 m ² /sys.
Compressor oil type	POE-46 (NXG5020 or equivalent)
Compressor type	Inverter scroll (x4)
Power supply ²	3 ph. 400V ac 50Hz + N + E
Compressor (3ph.) run amps at rating cond.	22 A/ph. (x4)
Compressor circuit breaker	32 A (x4)
Indoor fan motor size	EC Plug 3.5kW (x4)
Nominal air flow at rating conditions	11 000 l/s
Indoor fan motor (3ph.) - full load	9.1 A/ph. (x4)
Outdoor fan motor (3ph.) - full load	4.7 A/ph. (x4)
Outdoor fan motor – max. ext. static pressure available	120 Pa (@20,600 l/s)
Control circuit breaker (internal)	4 A
Auxiliary power outlet (1ph.) overload setting	10 A
Running amps (total system)	111 A/ph.
Max. running amps (total system)	159 A/ph.
RCD type recommended	type B, 30mA, 3 pole
Net weight	2675 kg
Shipping weight (excl. cowl)	2734 kg
Net weight (c/w Economiser)	2765 kg

Accessories:

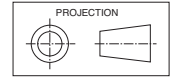
Remote wired Service Interface Device (<i>pGD1</i>)	201-000-379
Filters - rated EU4/G4 disposable	019-400-004 500x500x50 (x12) 019-400-005 600x500x50 (x4) ³
Filters - rated EU4/G4 washable (NZ only)	019-000-033 500x500x50 (x12) 019-000-034 600x500x50 (x4) ³

¹ Tested in accordance with AS/NZS 3823

² Voltage range: 380 – 440 V

³ Filter sizes are nominal; refer to Temperzone for actual measurements.

DIMENSIONS (mm)

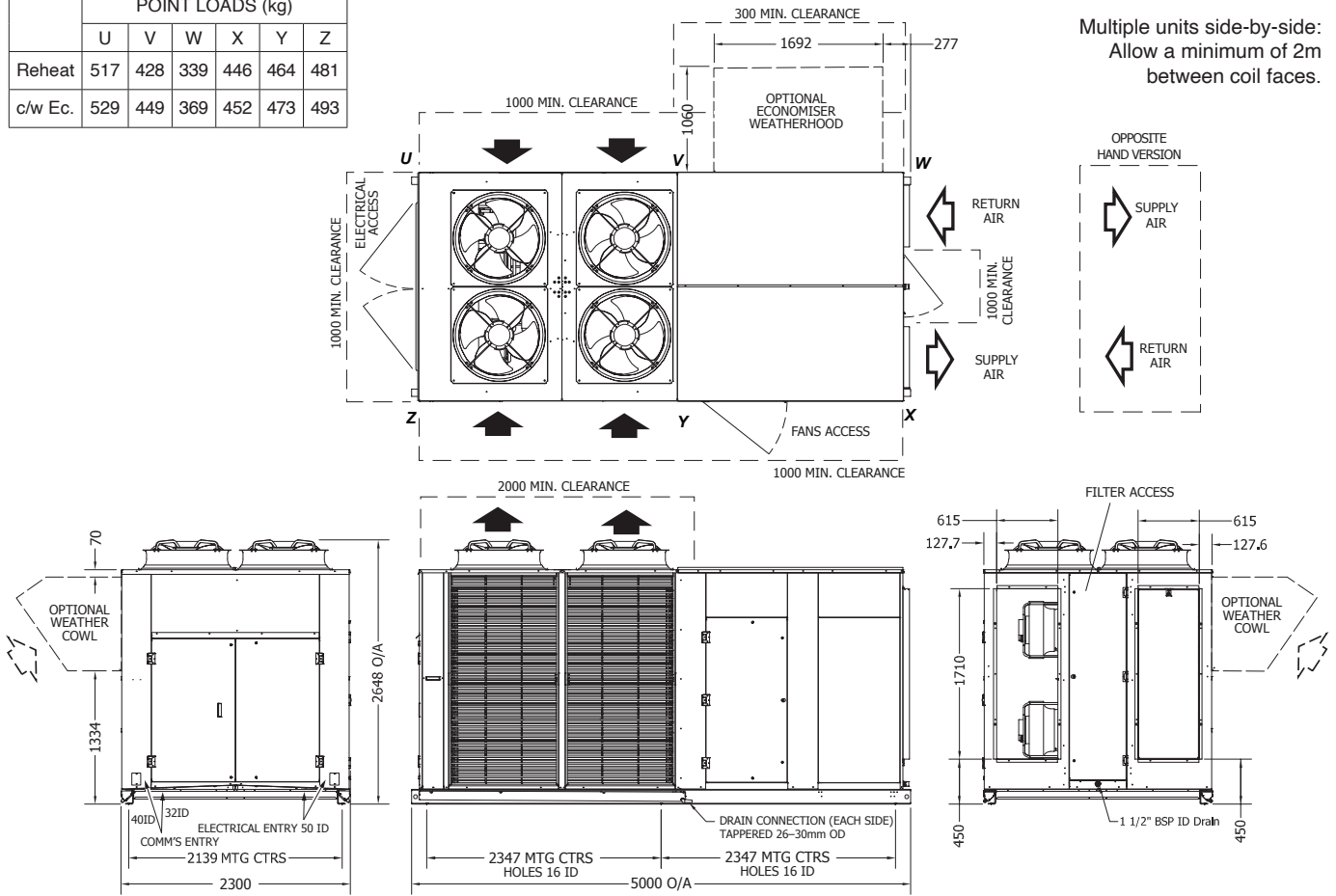


OPA 2110RLTMFPQD01-I(Z) Horizontal Supply, Standard Hand

Not to Scale

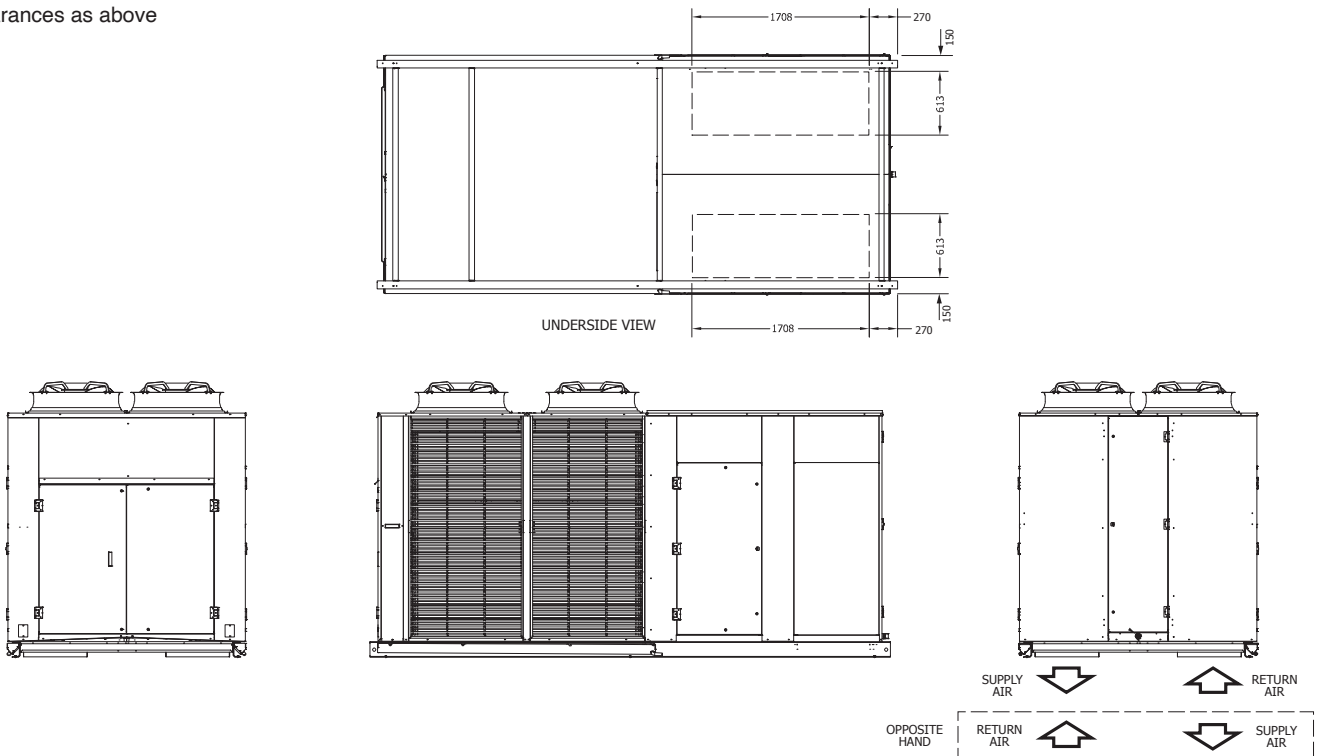
Multiple units side-by-side:
Allow a minimum of 2m
between coil faces.

	POINT LOADS (kg)					
	U	V	W	X	Y	Z
Reheat	517	428	339	446	464	481
c/w Ec.	529	449	369	452	473	493



OPA 2110RLTMFPQD23-I(Z) Downward Supply, Standard Hand

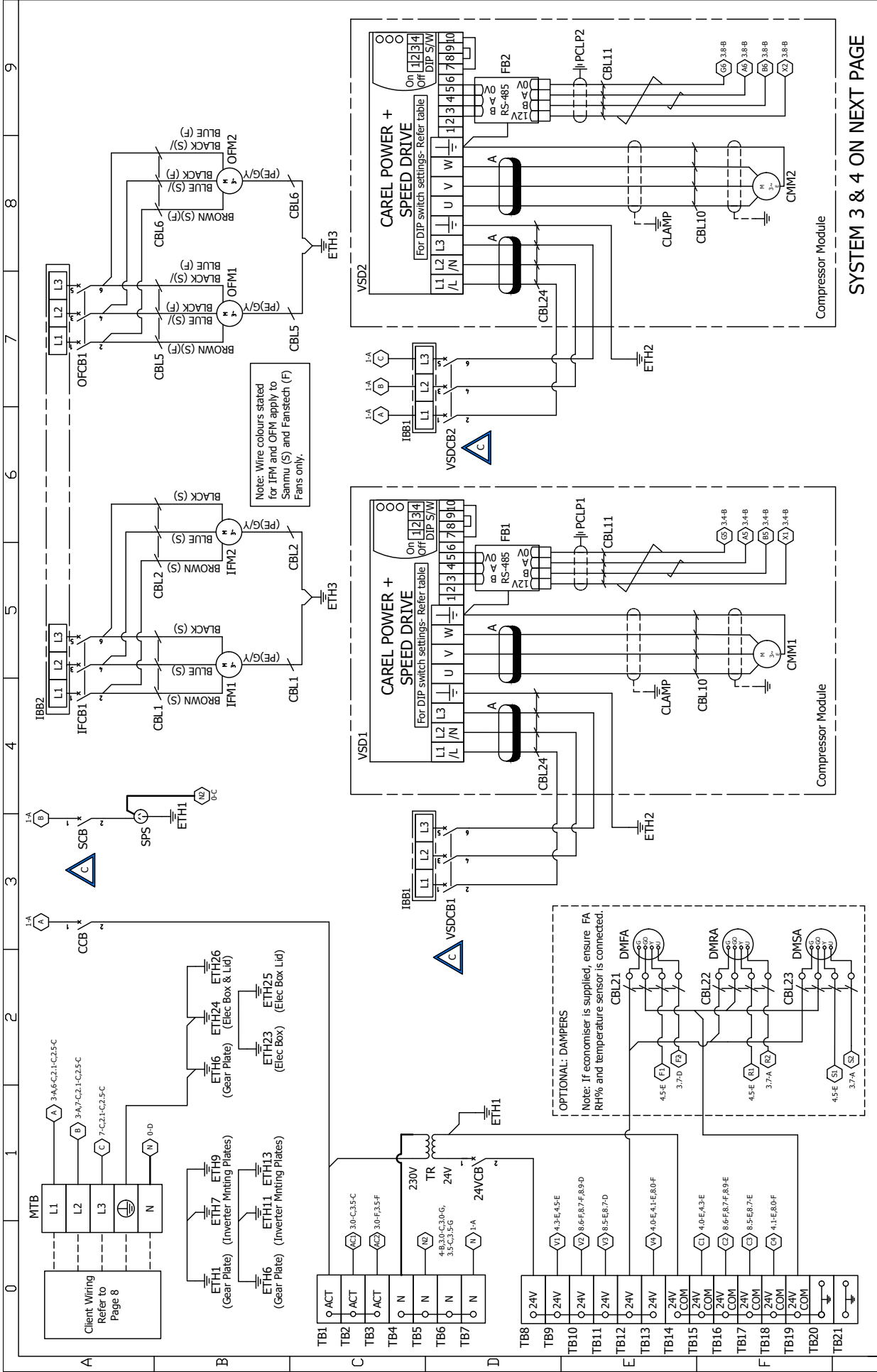
Clearances as above



NOTE

Specifications are subject to change without notice due to the manufacturer's ongoing research and development programme.

WIRING (1)



SYSTEM 3 & 4 ON NEXT PAGE

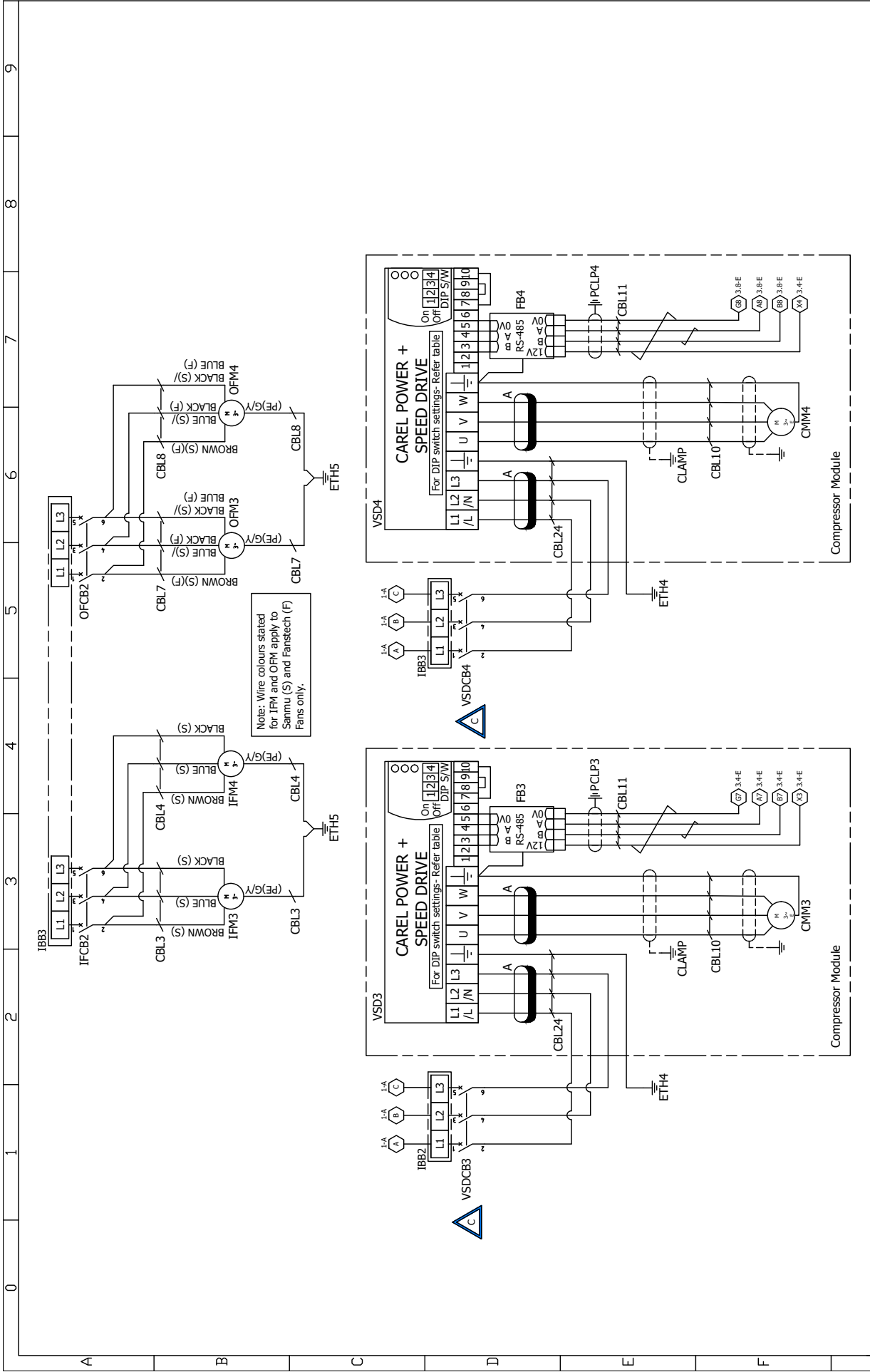
REV	MODIFICATION	DATE	ECN	APVD
C	Renamed circuit breakers. Revised and added note on ID fan connection to TB29 and TB36T. Added clarity to expansion module.	12-10-23	5116	LC

Technical information	*Refer Page 8
Rev:	C
Drawing No:	291-003-281
SHEET 1	OF 8

Drawn: L.C	Date: 22-05-20	Title: OPA1410 / 1710 / 2110RLTM4FDPQ-S1 R32 UC8
Approved: <i>Pyu</i>	Wiring Schematic	



©temperzone Ltd 2022



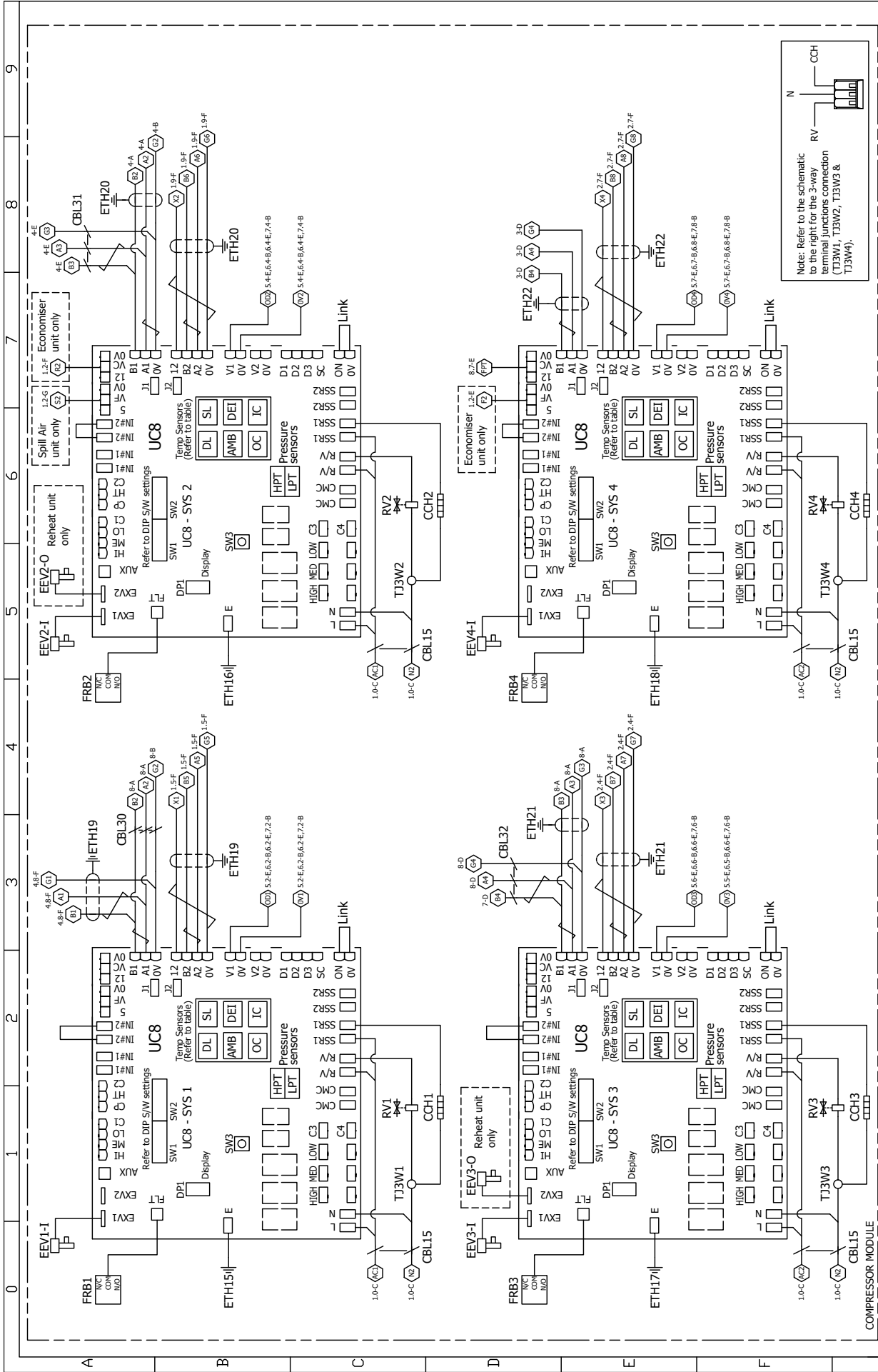
REV	MODIFICATION	DATE	ECN	APVD	Technical information
C	Renamed circuit breakers. Revised and added note on ID fan connection to TB29 and TB36T. Added clarity to expansion module.	12-10-23	5116	LC	*Refer Page 8
	Client Wiring	Drawn: L.C	Date: 22-05-20		Drawing No: 291-003-281
		Approved: <i>Pyu</i>			Rev: C
					SHEET 2 OF 8



©temperzone Ltd 2022

Title: OPA1410 / 1710 / 2110RLTM4FDPO-S1 R32 UC8
Wiring Schematic

WIRING (3)



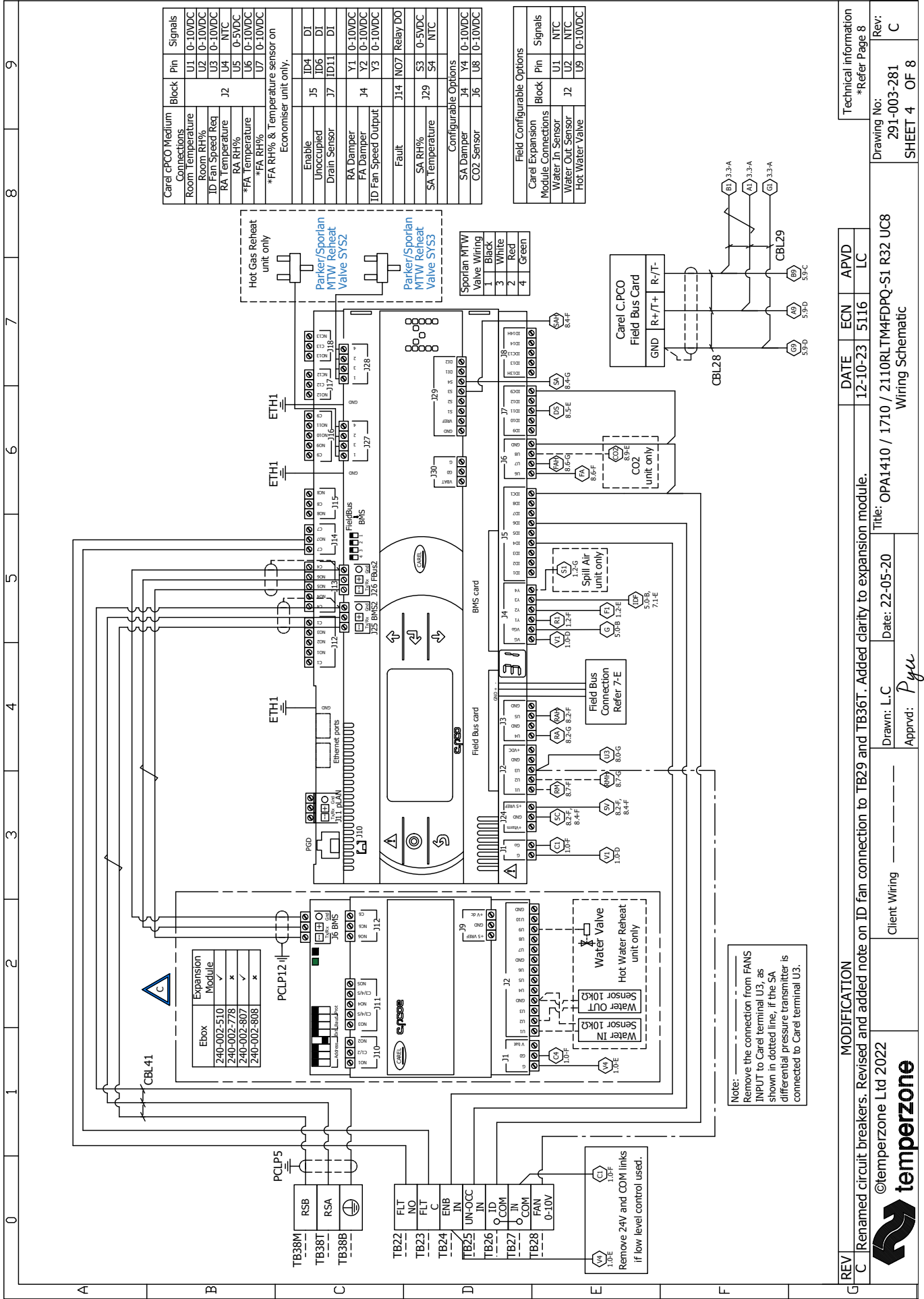
Note: Refer to the schematic to the right for the 3-way terminal junctions connection (TJ3W1, TJ3W2, TJ3W3 & TJ3W4).

REV	MODIFICATION	DATE	ECN	APVD	LC
C	Renamed circuit breakers. Revised and added note on ID fan connection to TB29 and TB36T. Added clarity to expansion module.	12-10-23	5116	LC	LC

Technical information	*Refer Page 8
Drawing No:	291-003-281
Rev:	C
Title: OPA1410 / 1710 / 2110RLTM4FDPQ-S1 R32 UC8 Wiring Schematic	
Client Wiring	Approved: <i>Pyle</i>
Drawn: L.C	Date: 22-05-20
SHEET 3 OF 8	



©temperzone Ltd 2022



Carel cPCO Medium Connections	Block	Pin	Signals
Room Temperature	U1	0-10VDC	DI
Room RH%	U2	0-10VDC	DI
ID Fan Speed Req	U3	0-10VDC	DI
RA Temperature	U4	0-10VDC	DI
RA RH%	U5	0-10VDC	DI
*FA Temperature	U6	0-10VDC	DI
*FA RH%	U7	0-10VDC	DI

Fieldbus BMS card	Block	Pin	Signals
Enable	J5	ID4	DI
Unoccupied	J5	ID6	DI
Drain Sensor	J7	ID11	DI
RA Damper	J4	Y1	0-10VDC
FA Damper	J4	Y2	0-10VDC
ID Fan Speed Output	J4	Y3	0-10VDC

Fieldbus card	Block	Pin	Signals
Fault	J14	NO7	Relay DO
SA RH%	J29	S3	0-5VDC
SA Temperature	J29	S4	NTC

Sporian MTW Valve Wiring	Block	Pin	Signals
1	Black		
2	White		
3	Red		
4	Green		

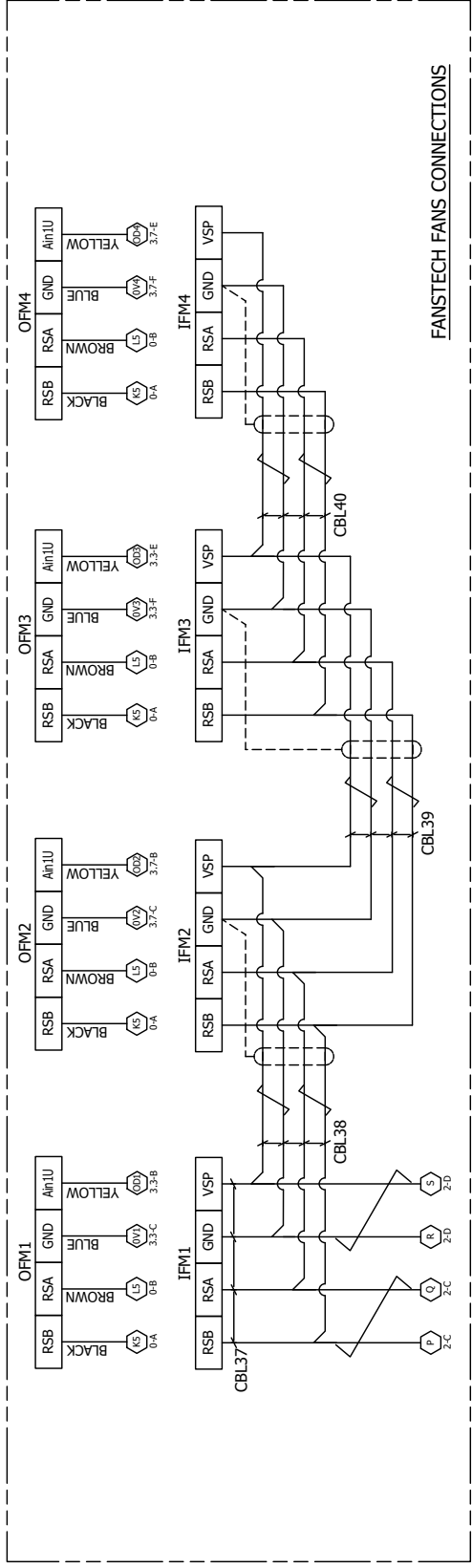
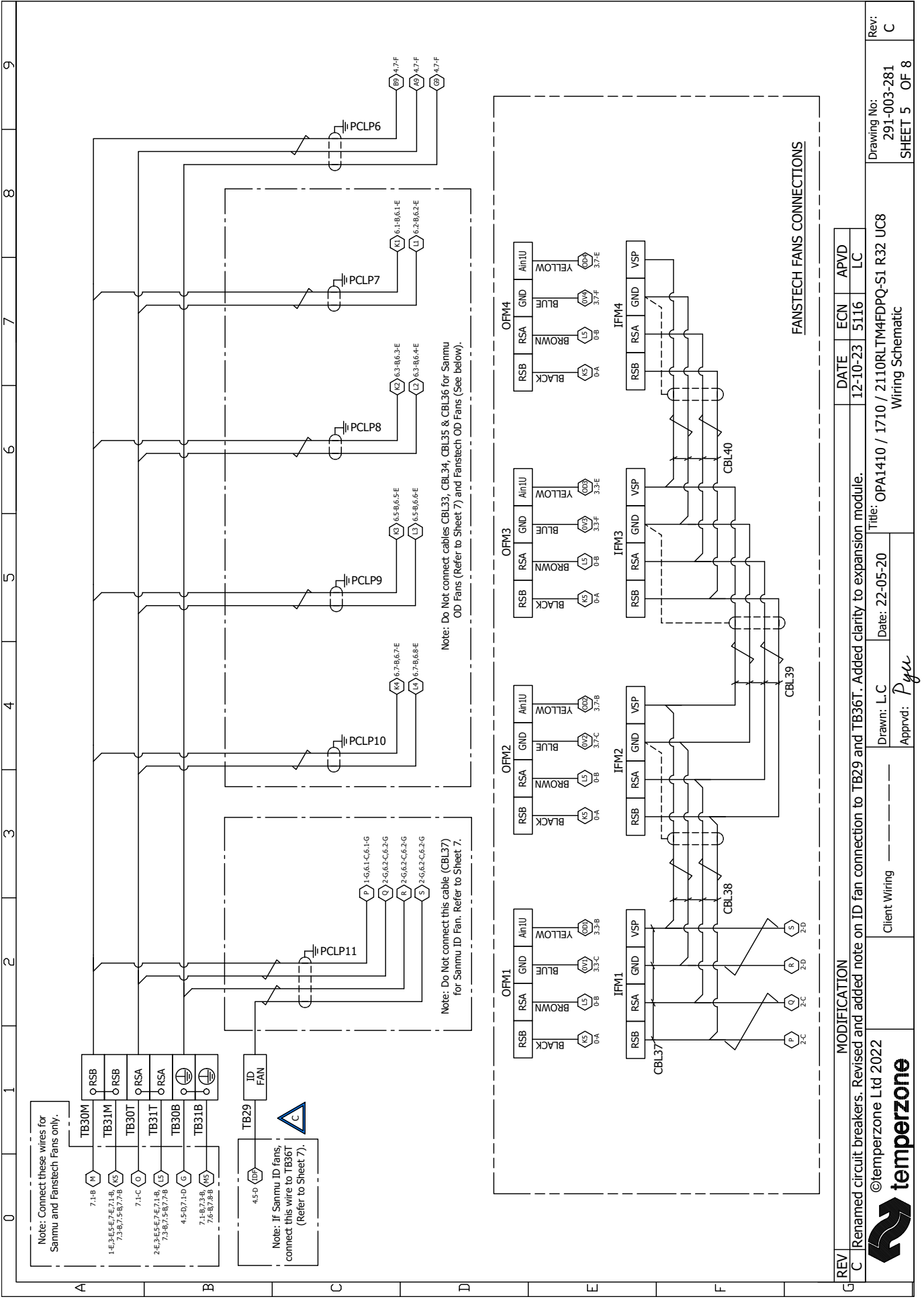
Carel Expansion Module Connections	Block	Pin	Signals
Water In Sensor	U1	NTC	
Water Out Sensor	U2	NTC	
Hot Water Valve	U9	0-10VDC	

Note:
Remove the connection from FANS INPUT to Carel terminal U3, as shown in dotted line, if the SA differential pressure transmitter is connected to Carel terminal U3.

REV	MODIFICATION	DATE	ECN	APVD	Technical information
C	Renamed circuit breakers. Revised and added note on ID fan connection to TB29 and TB36T. Added clarity to expansion module.	12-10-23	5116	LC	*Refer Page 8

Client Wiring	Drawn: L.C	Date: 22-05-20	Approved: <i>Pyle</i>
---------------	------------	----------------	-----------------------

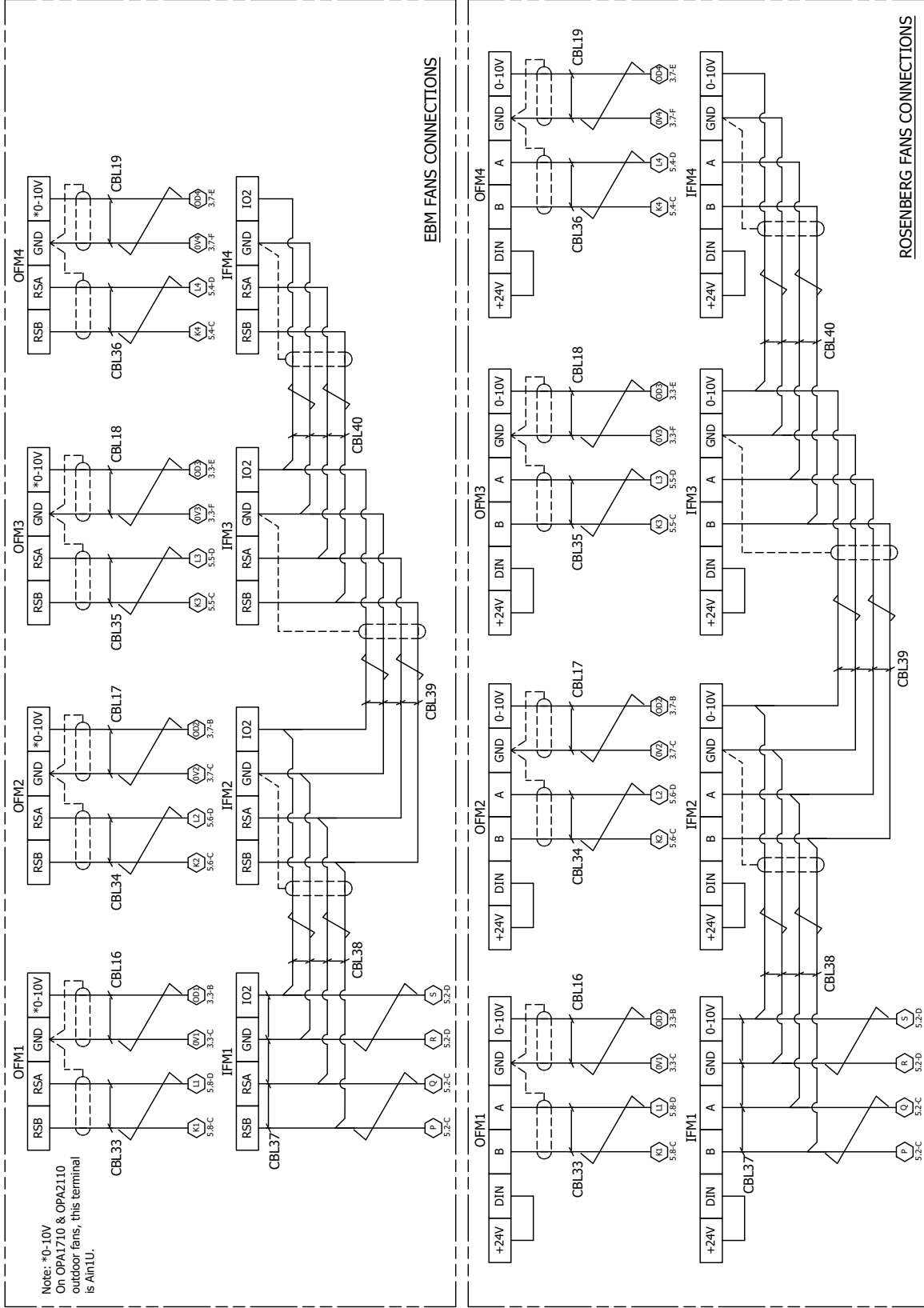
©temperzone Ltd 2022	Drawing No: 291-003-281	Rev: C
temperzone	Wiring Schematic	SHEET 4 OF 8




REV	MODIFICATION			DATE	ECN	APVD
C	Renamed circuit breakers. Revised and added note on ID fan connection to TB29 and TB361T. Added clarity to expansion module.			12-10-23	5116	LC
©temperzone Ltd 2022				Drawn: L.C	Date: 22-05-20	Client Wiring
				Approvd: <i>Pyy</i>	Title: OPA1410 / 1710 / 2110RLTM4DPQ-S1 R32 UC8 Wiring Schematic	
Drawing No: 291-003-281				SHEET 5		OF 8
Rev: C						

0 1 2 3 4 5 6 7 8 9

NOTE: THE FOLLOWING FANS CONNECTIONS APPLY, DEPENDING ON THE MAKE OF FANS INSTALLED IN THE UNIT.

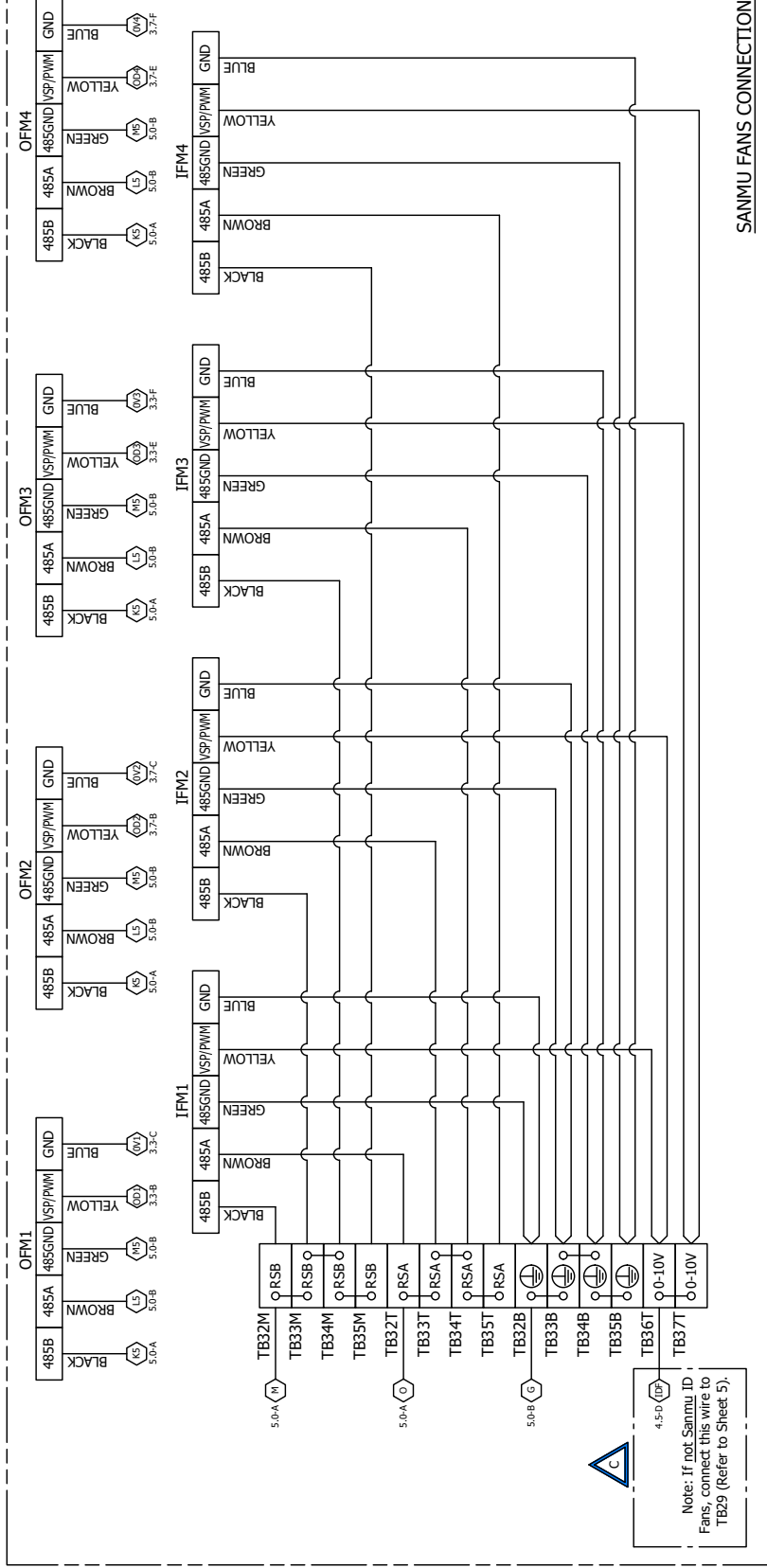


REV	MODIFICATION			DATE	ECN	APVD
C	Renamed circuit breakers. Revised and added note on ID fan connection to TB29 and TB36T. Added clarity to expansion module.			12-10-23	5116	LC
©temperzone Ltd 2022				Drawn: L.C	Date: 22-05-20	Client Wiring
				Title: OPA1410 / 1710 / 2110RLTM4FDPO-S1 R32 UC8 Wiring Schematic Drawing No: 291-003-281 SHEET 6 OF 8		

Rev: C

0 1 2 3 4 5 6 7 8 9

NOTE: THE FOLLOWING FANS CONNECTIONS APPLY, DEPENDING ON THE MAKE OF FANS INSTALLED IN THE UNIT.



SANMU FANS CONNECTIONS

REV	MODIFICATION	DATE	ECN	APVD
C	Renamed circuit breakers. Revised and added note on ID fan connection to TB29 and TB36T. Added clarity to expansion module.	12-10-23	5116	LC

©temperzone Ltd 2022



Client Wiring _____
 Drawn: L.C
 Date: 22-05-20
 Approved: *Pyle*

Title: OPA1410 / 1710 / 2110RLTM4FDPO-S1 R32 UC8
 Wiring Schematic

Drawing No: 291-003-281
 SHEET 7 OF 8
 Rev: C

