

IMDL 90-H

Nominal Airflow: 480 l/s

Cooling Capacity (kW)

Entering Air Temperature 23° C D.B., 17° C W.B.

Total = Total Capacity (kW); Sens. = Sensible Capacity (kW)

Note: Cooling capacities are based on the nominal airflow.

COIL	WATER FLOW (l/s)	PRESSURE DROP (kPa)	ENTERING WATER TEMPERATURE ° C									
			5		6		7		8		9	
			Total	Sens.	Total	Sens.	Total	Sens.	Total	Sens.	Total	Sens.
3 ROWS	0.25	9.9	7.6	5.7	7.0	5.5	6.4	5.3	5.9	5.1	5.3	4.8
	0.35	18.1	8.6	6.2	7.9	5.9	7.3	5.6	6.6	5.4	6.0	5.1
	0.45	28.5	9.4	6.5	8.6	6.2	7.9	5.9	7.2	5.6	6.5	5.3
4 ROWS	0.30	8.2	9.0	6.7	8.4	6.4	7.7	6.1	7.4	6.0	6.3	5.5
	0.45	16.7	10.3	7.2	9.5	6.9	8.8	6.6	8.0	6.2	7.2	5.9
	0.60	28.5	11.2	7.6	10.4	7.2	9.5	6.9	8.7	6.5	7.8	6.1

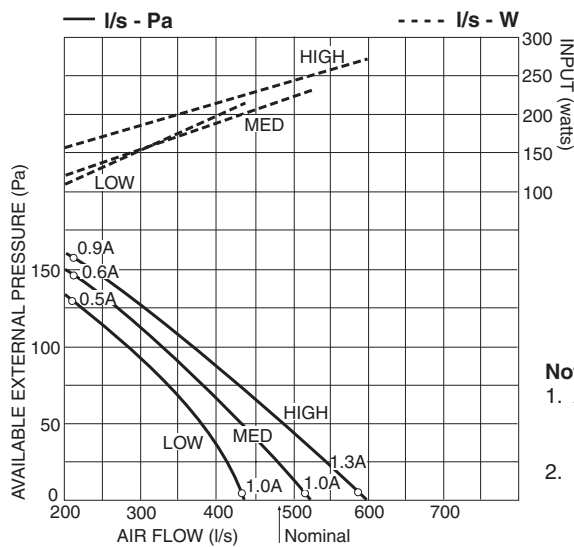
Heating Capacity (kW)

Entering Air Temperature 21° C

Note: Heating capacities are total - based on the nominal airflow. Electric Heating option: 3 kW

COIL	WATER FLOW (l/s)	PRESSURE DROP (kPa)	ENTERING WATER TEMPERATURE ° C									
			40	45	50	55	60	65	70	75	80	
1 ROW	0.10	10.3	3.6	4.5	5.5	6.4	7.4	8.3	9.2	10.2	11.2	
	0.14	18.8	4.0	5.0	6.0	7.1	8.1	9.2	10.2	11.3	12.3	
	0.18	29.4	4.2	5.3	6.4	7.5	8.6	9.7	10.8	12.0	13.1	

Air Handling



Sound Levels

Test Conditions: JIS 8616. 1 m ducting with 25 mm insulation. Sound Pressure Levels are at 1 m from source.

FAN SPEED	SPL dB(A)	SWL dB(A)	OCTAVE BAND FREQ. Hz					
			125	250	500	1 k	2 k	4 k
LOW	39	49	51	51	49	42	37	29
MED	41	51	54	54	50	45	40	33
HIGH	44	54	55	56	53	48	42	37

Note: Return air plenum, filter and standard supply air spigot attached.

Note:

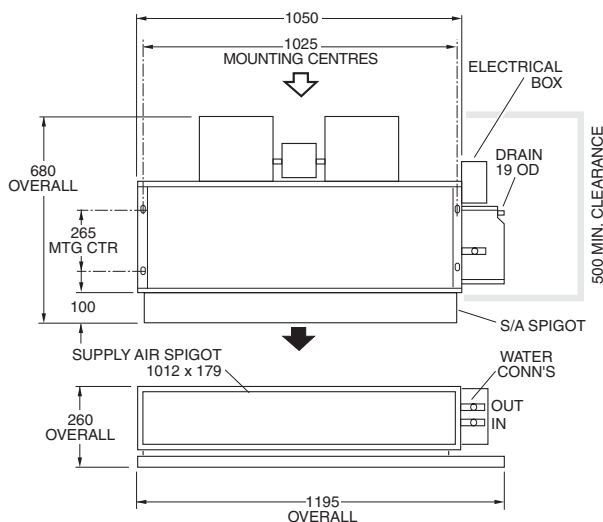
- Air flows given are for a standard unit with rectangular supply air spigot and no filter installed. Refer page 53 for filter pressure drop.
- In a free blow application, beware of exceeding indoor fan motor's full load amp limit.

Dimensions (mm)

Not to Scale

Right Handed models shown

Standard Unit



Standard Unit with Return Air Plenum & Multi-Outlet Supply Air Spigot

