

Ducted Split System Air Conditioner

Technical Data

ISD 110K / OSA 110RK



**Optional
SAT Controller**

Single & Three Phase Versions

**Extra Long Life
Epoxy Coated Outdoor Coil**

**Nominal Cooling Capacity
10.2 kW**

ISD 110K / OSA 110RK DUCTED SPLIT SYSTEM AIR CONDITIONER

GENERAL

OSA 110RKS – single phase version
OSA 110RKT – three phase version.

The ISD indoor unit, together with its associated OSA outdoor unit, provides a reverse cycle (heat pump) split system air conditioner designed and developed to comply with AS/NZS 3823 specified conditions. The system has been tested and proven for cooling operation in outdoor temperatures up to 50°C.

APPLICATIONS

These units have been specifically developed for air conditioning of light commercial and residential premises, e.g. offices, motels, shops and homes.

Air Flow Selection

If the air returning to the indoor coil is regularly expected to be above 50%RH, then the coil face velocity should be limited to be 2.5 m/s or less (for reference 2.5 m/s is marked on the graph below).

High humidity levels can occur in tropical or subtropical conditions, and/or when heavily moisture laden fresh air is introduced. Consideration must always be given to selecting an air flow and face velocity that avoids water carry-over problems.

Applications using full or high proportions of fresh air should be referred to your nearest **temperzone** sales office to establish the correct selection of units.

FEATURES

Refrigerant R410A. Each complete system uses refrigerant R410A which is deemed to have zero ozone depletion potential.

Efficient. The outdoor unit incorporates a high efficiency rotary compressor. Heat exchange coils incorporate inner grooved (rifled) tube for better heat transfer.

Performance. A dynamically balanced forward curved fan with a multi-speed motor enables fine tuning of the indoor unit to match the supply air requirements. The system includes a temperature sensing head pressure control which enables the system to compensate for outdoor ambient temperatures below 20°C on cooling cycle, and above 15°C on heating cycle.

Quiet. The compressor is isolated in a built-in, insulated compartment to minimise noise. The indoor unit is also insulated for noise attenuation.

Slimline. The compact up-right design of the outdoor unit requires only a 100 mm gap on the coil side where installation is against a wall. Its slimline cabinet is particularly practical where there is restricted space, e.g. side access pathways, balconies, narrow ledges, etc. A vertical discharge grille is available to deflect prevailing winds and reduce clearances. The unit is free standing, but can be fitted on a wall using the optional wall mounting brackets.

Durable. The outdoor coil fins are epoxy coated for extra protection in corrosive environments, e.g. salt laden sea air. The outdoor unit's cabinet is constructed from high grade galvanised steel – polyester powder coated (grey) for all weather protection (IP 45). External fasteners are stainless steel. Heat exchange coils comprise aluminium plate fins on mechanically expanded rifled copper tube. The indoor unit's cabinet is constructed from high grade galvanised steel and also includes a plastic drain tray for complete corrosion resistance.

Service Access. The indoor unit's built-in drain tray can be removed for ease of cleaning and service accessibility.

Insulation. Closed cell foam insulation has been used in the indoor unit's cabinet to ensure no particles are introduced into the air stream. The insulation is foil faced and meets fire test standards AS 1530.3 (1989) and BS 476 parts 6 & 7.

Mounting. The indoor unit can be mounted rigid, or using the optional spring mounting brackets which minimise transfer of vibration.

Self Diagnostics. The Outdoor Unit Controller (OUC) has a display of LEDs to indicate faults and running conditions. A non-specific fault indicator is included for interface to external systems.

OPTIONAL EQUIPMENT

Outdoor Unit:

1. Vertical discharge grille.
2. Wall mounting brackets.
3. Anti-vibration mounts (rubber)
4. Drain connection - right angle
5. Soft Starter (OSA 110RKS only).

Indoor Unit:

1. Filter box - integrated return air spigot and washable filter (rated EU2/G2).
2. **temperzone** SAT Controller.

3. Spring Mounting Kit.
4. 3 kW electric booster heater box - complete with safety cutouts required to meet AS/NZS 3350.2.40 1997.
5. Supply and return air plenums.
6. Safety drain tray.

SAFETY FEATURES

1. HP and loss of refrigerant protection.
2. Anti-rapid cycle timer and internal overload for compressor protection.
3. Circuit breaker control circuits.
4. Time-and-temperature controlled electronic de-ice switch prevents icing up of the outdoor coil during heating cycle.
5. Frost protection on cooling cycle.
6. Sensor fault indication.
7. Compressor minimum run time to ensure oil return.

COMPRESSOR

Each high efficiency rotary type compressor is hermetically sealed, quiet running and supported on rubber mounts to minimise vibration.

REFRIGERATION PIPING

The standard unit contains allows for a line length up to 30 m. For line lengths between 30 m and 40 m, refer to **temperzone's Split Systems Installation Guide** (refer www.temperzone.biz/Technical_Support).

Maximum line length when extended is 40m.

Max. height separations between units are :
 Outdoor unit above indoor unit : 16 m
 Outdoor unit below indoor unit : 16 m.

The OSA 110 is shipped from the factory with a charge of HFC-410A (R410A) refrigerant sufficient for a 10 m line length. Liquid and suction service valves are provided. Accurator expansion devices control the flow of refrigerant. The matched indoor unit is shipped with a holding charge of nitrogen. Both units have brazed pipe connections.

WIRING

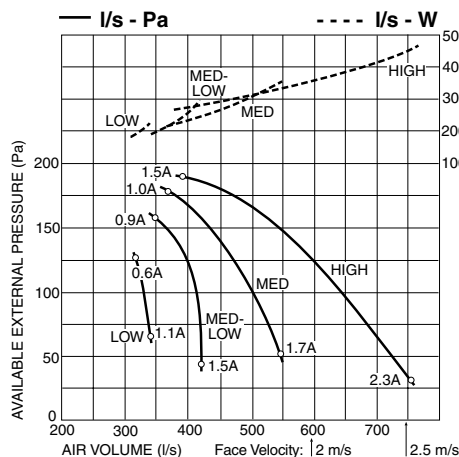
The electrical supply required (including voltage fluctuation limits) is:
OSA 110RKS: 1 ph. 200-252 V a.c. 50 Hz,
OSA 110RKT: 3 ph. 342-436 V a.c. 50 Hz, with neutral and earth.

The compressor crankcase heater requires a 24 hour power supply. A control panel, located in the outdoor unit, is fully wired ready to accept the main power supply.

AIR HANDLING

Note: Airflows are for a dry coil. Reduce airflow by 5% in high moisture removal conditions. In a free blow application, beware of exceeding indoor fan motor's full load amp limit.

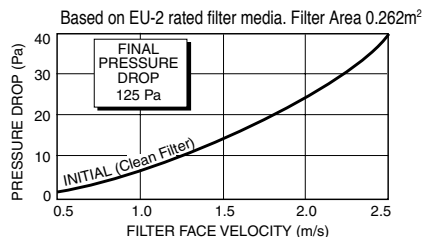
As filters are optional, the fan air flows given are for units installed without filters.



ELECTRICAL OSA: RKS RKT

	OSA:	RKS	RKT
E.E.R. (cooling)		2.90	2.90
Indoor Fan Full Load Amps		1.9	1.9
Running Amps (Total System)		16.7	6.7/5.7/5.7
Recommended External Fuse		25 A	25 A

FILTER PRESSURE DROP



PERFORMANCE DATA

COOLING CAPACITY (kW)

Total = Total Capacity (kW)

Sens. = Sensible Capacity (kW)

E.A.T. = Entering Air Temperature

○ = Nominal Capacity (kW)

Note: Capacities are **gross** and do not include allowance for fan motor heat loss. Capacities are for close coupled systems. Interconnecting pipework will reduce capacity. Net cooling capacity 9.9 kW.

MODELS Indoor / Outdoor Unit	INDOOR FAN		INDOOR COIL E.A.T.		OUTDOOR COIL ENTERING AIR TEMPERATURE °C D.B.											
	SPEED	AIR l/s	W.B. °C	D.B. °C	23		27		31		35		39		43	
					Total	Sens.	Total	Sens.	Total	Sens.	Total	Sens.	Total	Sens.	Total	Sens.
ISD 110K / OSA 110RK	HIGH	650	15	21	10.0	7.9	9.9	7.9	9.6	7.8	9.2	7.5	8.6	7.1	7.8	6.6
			17	23	10.6	7.8	10.4	7.8	10.2	7.6	9.7	7.4	9.1	7.0	8.4	6.5
			19	27	11.1	8.9	11.0	8.9	10.7	8.8	10.2	8.5	9.6	8.1	8.9	7.6
			21	31	11.6	10.5	11.5	10.5	11.2	10.4	10.8	10.1	10.2	9.7	9.4	9.0

Indoor Air Flow Correction Factors @ nominal conditions

	Indoor Air Flow (%)			
	-20%	-10%	Rated	+10%
Total Capacity	0.95	0.975	1.0	1.025
Sensible Capacity	0.89	0.950	1.0	1.050

PIPE LENGTH CAPACITY LOSS

ON COOLING CYCLE DUE TO PRESSURE DROP

Note: Loss percentage is approximate only.

No allowance made for vertical piping.

Pipe Size (mm)		Equivalent Line Pipe Length (m)					Additional Pipe Length to allow per Bend	
Liquid	Suction	5	10	15	20	30	Suction Pipe Size OD	19 mm
10	19	0.75 %	1.5 %	2.25 %	3 %	5 %	Long 90° Radius (2 x pipe dia.)	0.4 m

HEATING CAPACITY (kW)

G = Gross Heating Capacity kW, based on nominal air flow of 560 l/s.

N = Net Heating Capacity kW allowing for average defrost.

○ = Nominal Capacity (kW)

MODELS Indoor / Outdoor Unit	INDOOR ENTERING AIR TEMP. °C D.B.	OUTDOOR COIL ENTERING AIR TEMPERATURE (E.A.T.) °C D.B.															
		-5		-3		-1		1		3		5		7		9	
		G	N	G	N	G	N	G	N	G	N	G	N	G	N	G	N
ISD 110K / OSA 110RK	15	7.4	6.5	7.9	6.5	8.3	6.6	8.7	7.0	9.2	7.9	9.6	9.4	10.0	10.0	10.4	10.4
	20	7.4	6.5	7.8	6.4	8.2	6.5	8.6	6.9	9.1	7.8	9.5	9.3	9.9	9.9	10.3	10.3
	25	7.1	6.3	7.5	6.2	8.0	6.3	8.4	6.7	8.8	7.6	9.2	9.1	9.7	9.7	10.1	10.1

SOUND LEVELS

Sound Power Levels (SWL)

Test Conditions: BS 848 PT2 1985. Installation Type A (free inlet and outlet). Direct method of measurement (reverberant room).

Measured in decibels re 1 picowatt.

Indoor Unit - Supply Air Outlet

FAN SPEED	AIR FLOW l/s	SWL dB(A)	OCTAVE BAND FREQUENCY Hz					
			125	250	500	1 k	2 k	4 k
			SOUND POWER LEVELS (SWL) dB					
LOW	320	53	51	51	66	47	44	40
MED-LOW	400	60	56	56	63	53	52	49
MED	490	65	60	61	57	59	58	56
HIGH	560	69	63	64	51	63	61	60

Supply Air Outlet + Insulated Duct *

FAN SPEED	AIR FLOW l/s	SWL dB(A)	OCTAVE BAND FREQUENCY Hz					
			125	250	500	1 k	2 k	4 k
			SOUND POWER LEVELS (SWL) dB					
MED	490	61	60	60	60	55	50	47

* 1 metre of 25 mm insulated duct

Outdoor Unit

MODEL	FAN SPEED	SWL dB(A)	OCTAVE BAND FREQ. Hz						SPL @ 3 m dB(A)	OCTAVE BAND FREQ. Hz					
			125	250	500	1 k	2 k	4 k		125	250	500	1 k	2 k	4 k
			SOUND POWER LEVELS dB							SOUND PRESSURE LEVELS dB					
OSA 110	LOW	65	73	64	63	59	53	49	49	57	48	47	43	37	33
	MED	66	74	67	65	61	55	51	50	58	51	49	45	39	35

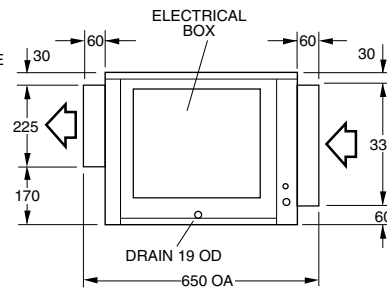
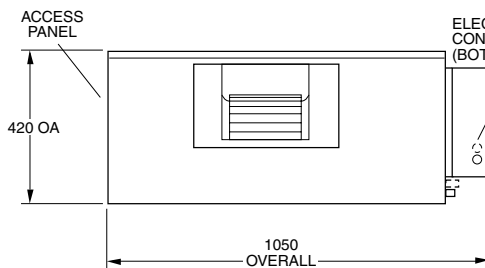
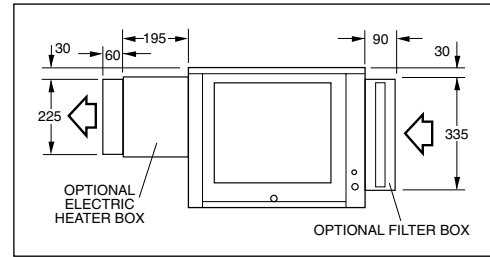
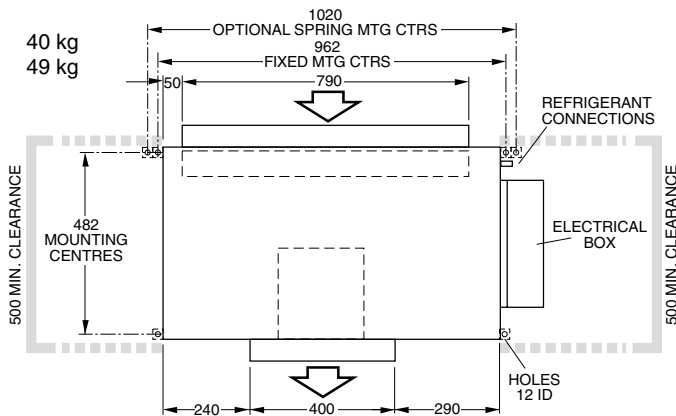
Sound Pressure Level (SPL) in decibels re 20 µPa.

DIMENSIONS (mm)

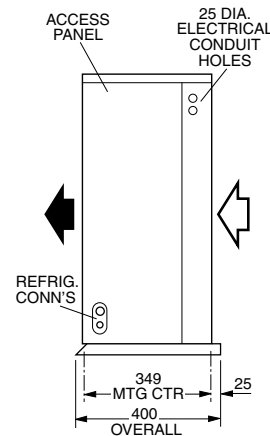
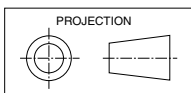
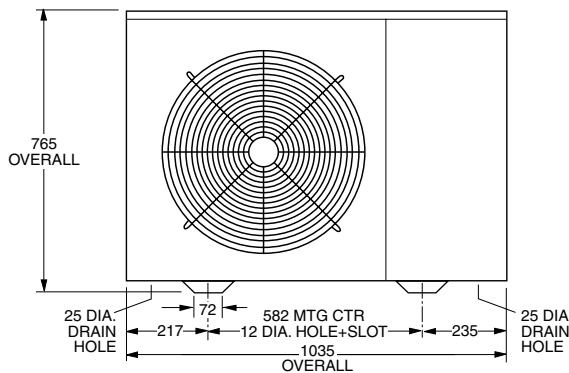
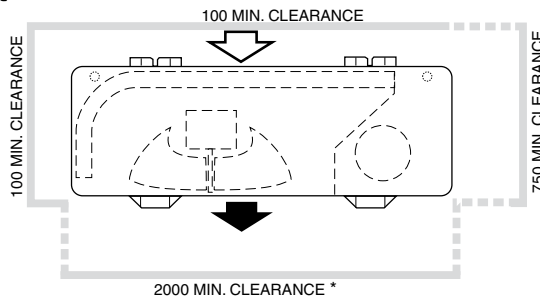
Not to Scale

ISD 110K Indoor Unit

Net Weight 40 kg
Shipping Weight 49 kg



OSA 110RK Outdoor Unit



Note

Materials and specifications are subject to change without notice due to the manufacturer's ongoing research and development programme.

Net Weight 91 kg
Shipping Weight 97 kg

Recommended Pipe Line Sizes

Liquid: 10 mm OD
Suction: 19 mm OD

* 600 min with optional Vertical Discharge Grille



temperzone limited

Head Office, Auckland : 38 Tidal Rd, Mangere, N.Z.
Private Bag 93303, Otahuhu, NEW ZEALAND.
Email sales@temperzone.co.nz Website: www.temperzone.biz

temperzone australia pty ltd

Head Office, Sydney : 14 Carnegie Place, Blacktown, NSW 2148
PO Box 8064, Seven Hills West, NSW 2147,
AUSTRALIA. Email sales@temperzone.com.au

AUCKLAND

Ph. 0-9-279 5250
Fax 0-9-275 5637

WELLINGTON

Ph. 0-4-569 3262
Fax 0-4-566 6249

CHRISTCHURCH

Ph. 0-3-379 3216
Fax 0-3-379 5956

SYDNEY

Ph. (02) 8822-5700
Fax (02) 8822-5711

ADELAIDE

Ph. (08) 8340-0607
Fax (08) 8340-2118

SINGAPORE

Ph. SNG 6733 4292
Fax SNG 6235 7180

MELBOURNE

Ph. (03) 8769-7600
Fax (03) 8769-7601

BRISBANE

Ph. (07) 3308-8333
Fax (07) 3308-8330

NEWCASTLE

Ph. (02) 4962-1155
Fax (02) 4961-5101



PERTH

Ph. (08) 9314-3844
Fax (08) 9314-3855

TOWNSVILLE

Ph. (07) 4773-9566
Fax (07) 4773-9166

HOBART

Ph. (03) 6331-4209
Fax (03) 6333-0224

Available from